

3/19/2013 6:47:09 PM - Z:\PROJECT\SUNIVERSITY STATIONCAD\SA CAD\CD-DETAILS.DWG - JAN RAMEY

PLANT SCHEDULE FOR GENERAL LANDSCAPE AND OPEN SPACE AREAS. Table with columns: SYM, QTY, BOTANICAL NAME, COMMON NAME, SIZE, COMMENTS. Includes sections for Deciduous Shade Trees, Evergreen Trees, Ornamental Trees, Shrubs, and Perennials.

PLANT SCHEDULE FOR WETLAND AREAS

Table with columns: SYM, QTY, BOTANICAL NAME, COMMON NAME, SIZE, COMMENTS. Includes sections for Deciduous Shade Trees, Evergreen Trees, Ornamental Trees, Shrubs, and Perennials.

PLANT SCHEDULE FOR STREETSCAPES. Table with columns: SYM, QTY, BOTANICAL NAME, COMMON NAME, SIZE, COMMENTS. Includes sections for Deciduous Shade Trees, Evergreen Trees, and Ornamental Trees.

Table with columns: SYM, QTY, BOTANICAL NAME, COMMON NAME, SIZE, COMMENTS. Includes sections for Ornamental Trees, Shrubs and Groundcover, and Perennials.

Table with columns: SYM, QTY, BOTANICAL NAME, COMMON NAME, SIZE, COMMENTS. Includes sections for Ornamental Grasses and Seasonal Annuals.

PRELIMINARY PLANT SCHEDULE FOR PARKING LOT ISLANDS

Table with columns: SYM, QTY, BOTANICAL NAME, COMMON NAME, SIZE, COMMENTS. Includes sections for Deciduous Shade Trees, Ornamental Trees, Shrubs and Groundcover, and Perennials.

Table with columns: SYM, QTY, BOTANICAL NAME, COMMON NAME, SIZE, COMMENTS. Includes sections for Ornamental Grasses and Seasonal Annuals.

Table with columns: SYM, QTY, BOTANICAL NAME, COMMON NAME, SIZE, COMMENTS. Includes sections for Ornamental Grasses and Seasonal Annuals.

Table with columns: SYM, QTY, BOTANICAL NAME, COMMON NAME, SIZE, COMMENTS. Includes sections for Ornamental Grasses and Seasonal Annuals.

Table with columns: SYM, QTY, BOTANICAL NAME, COMMON NAME, SIZE, COMMENTS. Includes sections for Ornamental Grasses and Seasonal Annuals.

PLANT SCHEDULE FOR PARKS AND PLAZAS. Table with columns: SYM, QTY, BOTANICAL NAME, COMMON NAME, SIZE, COMMENTS. Includes sections for Deciduous Shade Trees, Evergreen Trees, and Ornamental Trees.

Table with columns: SYM, QTY, BOTANICAL NAME, COMMON NAME, SIZE, COMMENTS. Includes sections for Ornamental Trees, Shrubs and Groundcover, and Perennials.

Table with columns: SYM, QTY, BOTANICAL NAME, COMMON NAME, SIZE, COMMENTS. Includes sections for Ornamental Trees, Shrubs and Groundcover, and Perennials.

Table with columns: SYM, QTY, BOTANICAL NAME, COMMON NAME, SIZE, COMMENTS. Includes sections for Ornamental Grasses and Seasonal Annuals.

Table with columns: SYM, QTY, BOTANICAL NAME, COMMON NAME, SIZE, COMMENTS. Includes sections for Ornamental Grasses and Seasonal Annuals.

Table with columns: SYM, QTY, BOTANICAL NAME, COMMON NAME, SIZE, COMMENTS. Includes sections for Ornamental Grasses and Seasonal Annuals.

- PLANTING NOTES: 1. LOCATE AND VERIFY ALL EXISTING UTILITY LINES PRIOR TO PLANTING... 2. ALL NEW PLANT MATERIAL SHALL CONFORM TO THE MINIMUM GUIDELINES ESTABLISHED FOR NURSERY STOCK... 3. ALL NEW WOODY STEM PLANTS SHALL BE BALLED AND BURLAPPED OR CONTAINER GROWN... 4. THE CONTRACTOR SHALL SUPPLY ALL NEW PLANT MATERIAL IN QUANTITIES SUFFICIENT TO COMPLETE THE PLANTING SHOWN ON THE DRAWINGS... 5. ALL NEW TREES SHALL BE TAGGED AND APPROVED BY THE LANDSCAPE ARCHITECT AT THE NURSERY PRIOR TO DIGGING OR DELIVERY TO THE SITE... 6. NO TREES SHALL BE PLANTED BEFORE ACCEPTANCE OF ROUGH GRADING... 7. STAKE LOCATION OF ALL PROPOSED PLANTING FOR APPROVAL BY THE LANDSCAPE ARCHITECT PRIOR TO COMMENCEMENT OF PLANTING... 8. ALL EXISTING TREES TO REMAIN SHALL BE PRUNED AND FERTILIZED BY A CERTIFIED ARBORIST... 9. AGED PINE BARK MULCH SHALL BE APPLIED TO ALL PLANT BEDS AT A 2" DEPTH, TYPICAL... 10. ALL NEW TREES SHALL BE GUARANTEED BY THE CONTRACTOR FOR 1 YEAR FROM TIME OF WRITTEN ACCEPTANCE OF THE PROJECT.

PREPARED BY: Shadley Associates Landscape Architecture / Site Planning Consultants 1730 Massachusetts Ave. • P 781-652-8809 Lowell, MA 02450 • F 781-682-2867 www.shadleyassociates.com

MARK, DATE, DESCRIPTION, BY. Table with 4 columns and 2 rows.

Client: Westwood Marketplace Holdings, LLC Proj. Loc.: University Avenue, Westwood, MA University Station - University Avenue Redevelopment Preliminary Planting Schedules Project No.: 127-3659-12003 Designed By: Drawn By: Checked By: Copyright: Terra Tech

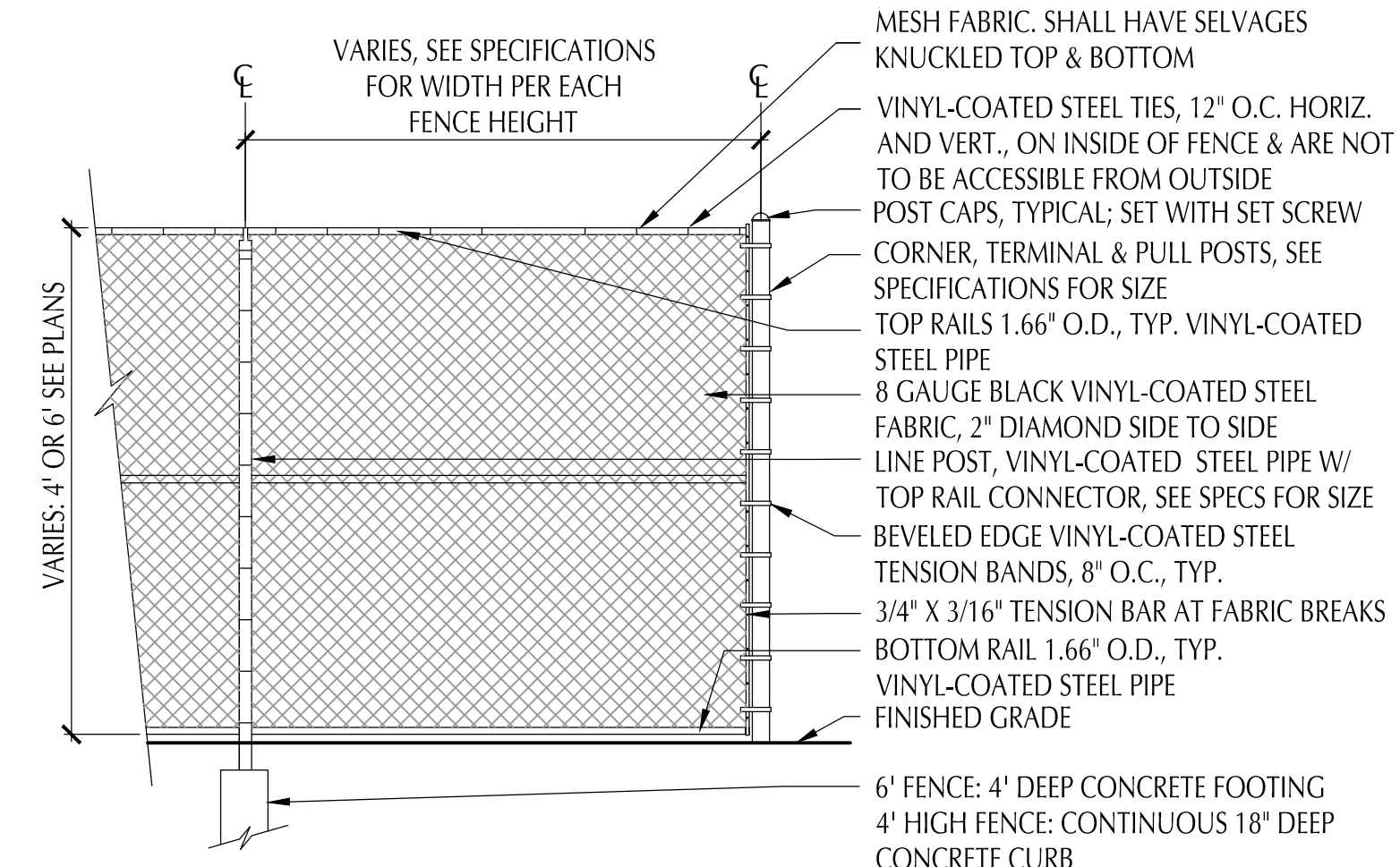
L-400

Bar Measures 1 inch



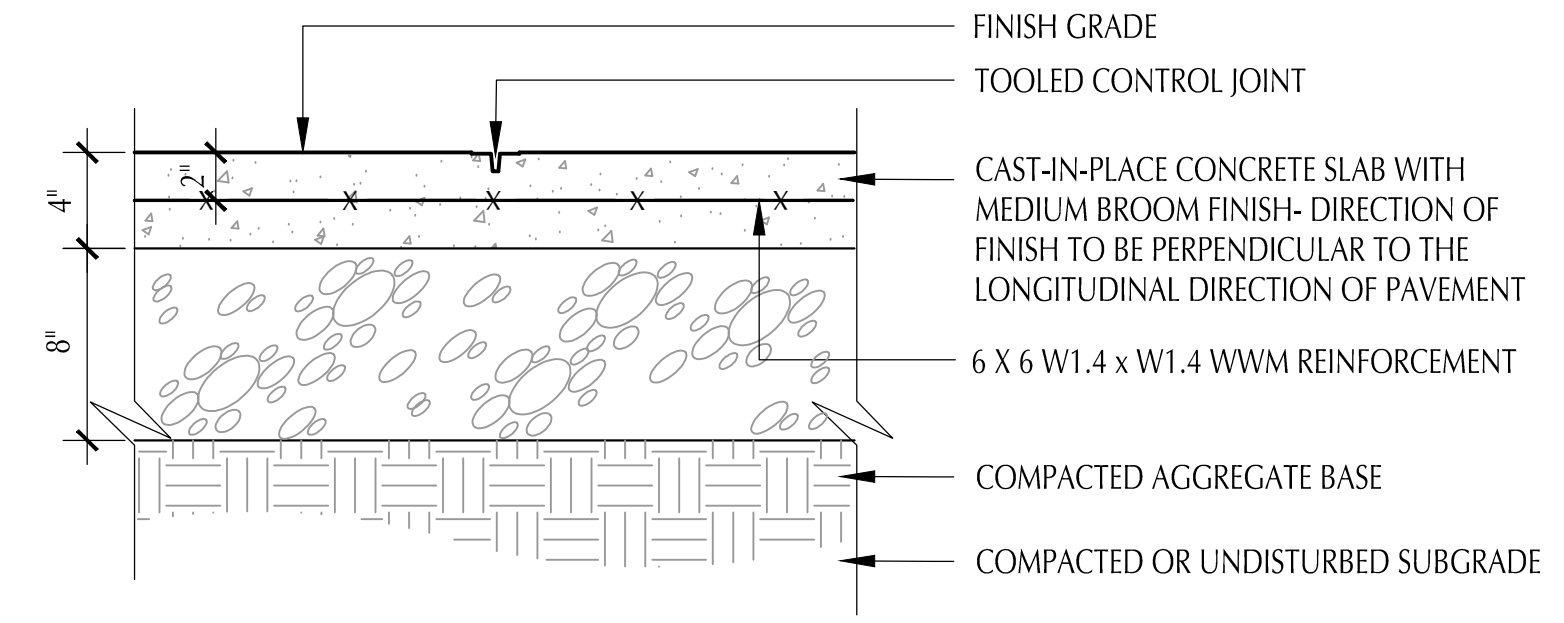




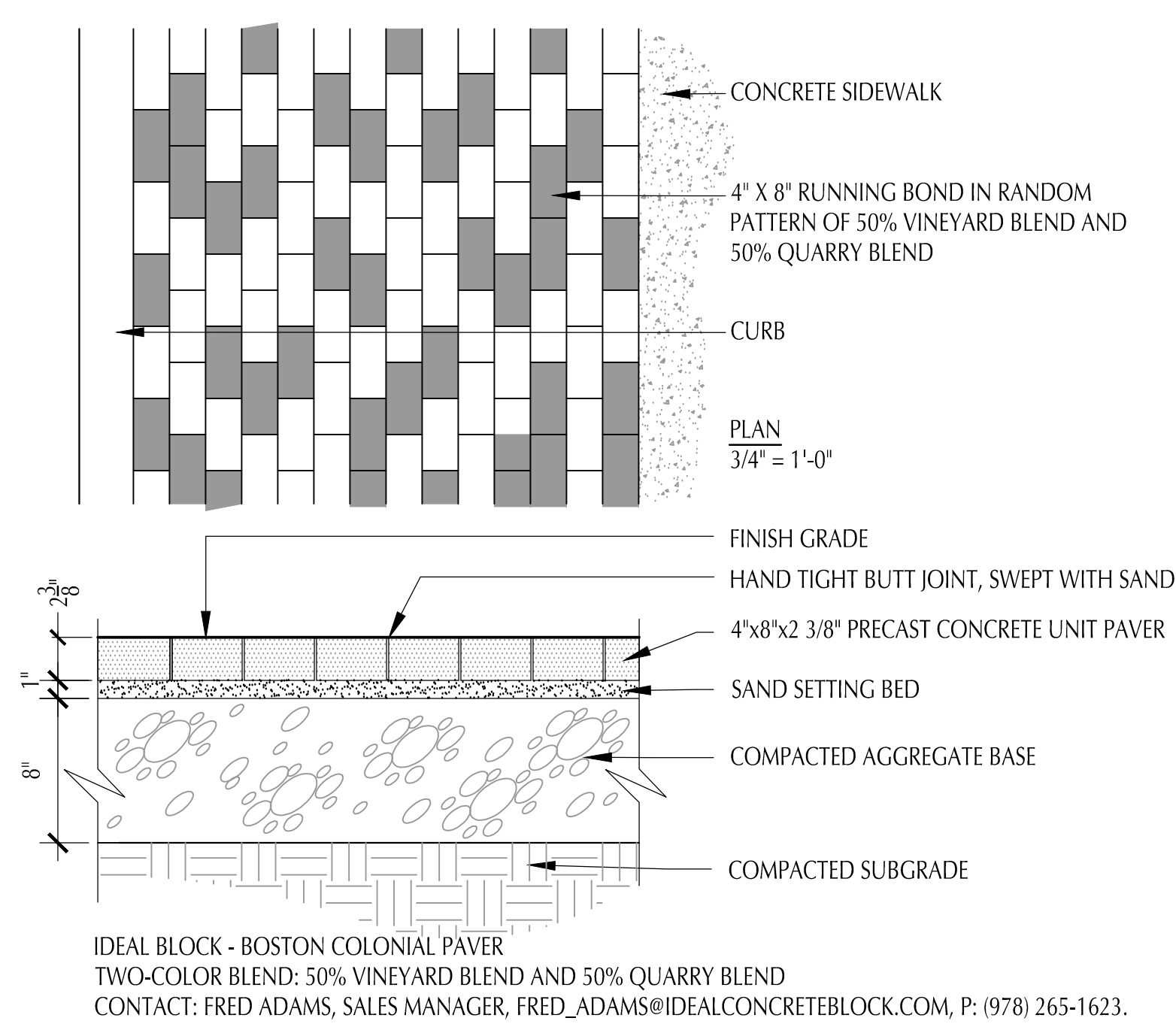


- NOTE:
1. TOPS & BOTTOMS OF ALL FABRIC TO BE KNUCKLED DOWN. ALL FENCE FABRIC SHALL BE VINYL-COATED GALVANIZED STEEL AS SPECIFIED.
  2. ALL HARDWARE SHALL BE GALVANIZED AND VINYL-COATED.
  3. PROVIDE SHOP DRAWINGS.

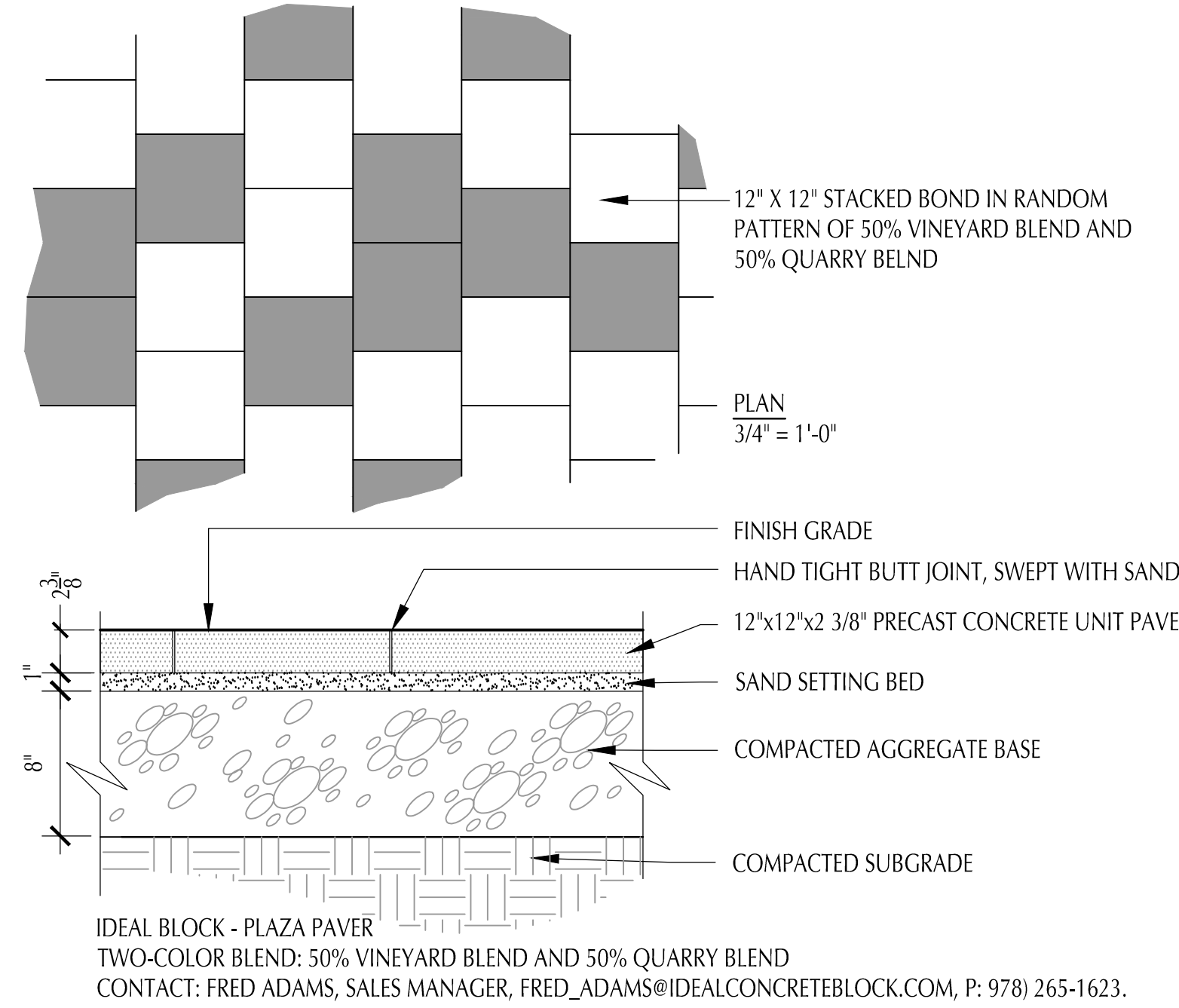
**5 CHAINLINK FENCE**  
SCALE: 1/2" = 1'-0"



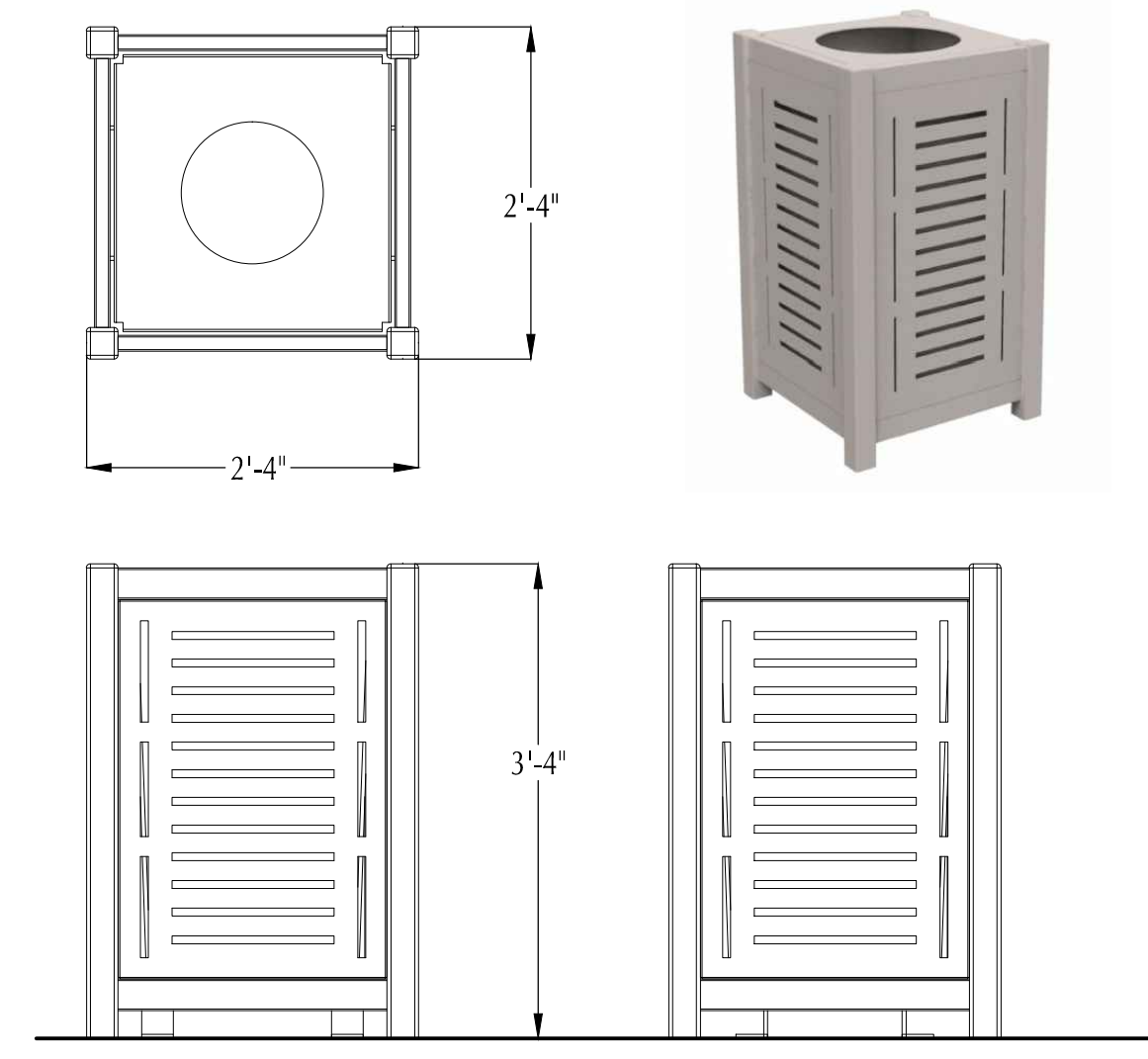
**6 PEDESTRIAN CONCRETE PAVEMENT**  
SCALE: 1 1/2" = 1'-0"



**7 UNIT PAVER BAND AT RETAIL SIDEWALK**  
SCALE: 1 1/2" = 1'-0"



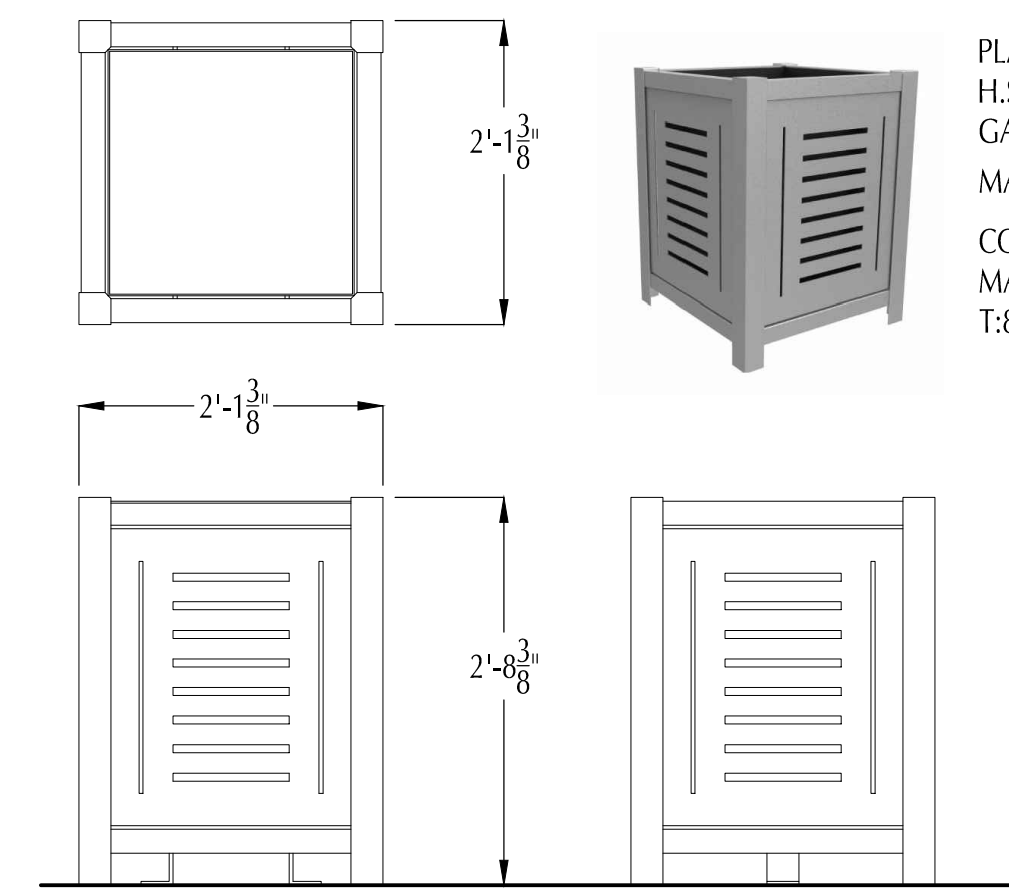
**8 UNIT PAVER PAVEMENT AT PLAZA AREAS**  
SCALE: 1 1/2" = 1'-0"



LITTER RECEPTACLE MODEL NO. MLW401M-25  
H.S. STEEL TUBE WITH LASER CUT STEEL PANELS AND 25 GALLON COMMERCIAL GRADE PLASTIC LINER AND METAL LID.  
MANUFACTURER: MAGLIN SITE FURNITURE  
CONTACT: JILL ROBERTS, REGIONAL SALES MANAGER, JROBERTS@MAGLIN.COM, T:800.716.5506, F:877.260.9393

NOTE: SURFACE MOUNT RECEPTACLE TO 4\"/>

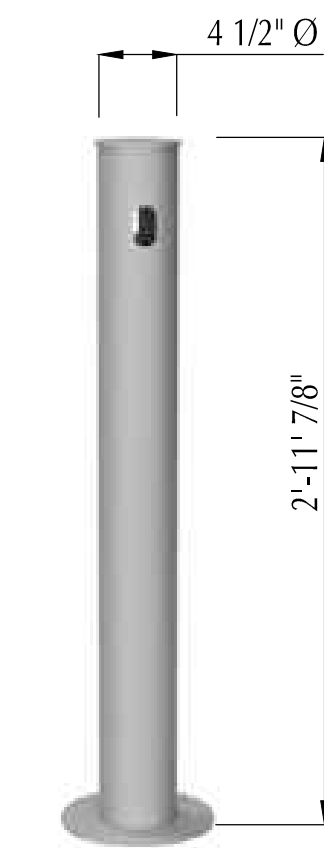
**1 LITTER RECEPTACLE**  
SCALE: 3/4" = 1'-0"



PLANTER MODEL NO. MLP401M  
H.S. STEEL TUBE WITH POWDERCOATED GALVANIZED STEEL LINER  
MANUFACTURER: MAGLIN SITE FURNITURE  
CONTACT: JILL ROBERTS, REGIONAL SALES MANAGER, JROBERTS@MAGLIN.COM, T:800.716.5506, F:877.260.9393

NOTE: SURFACE MOUNT PLANTER TO 4\"/>

**2 PLANTER**  
SCALE: 3/4" = 1'-0"

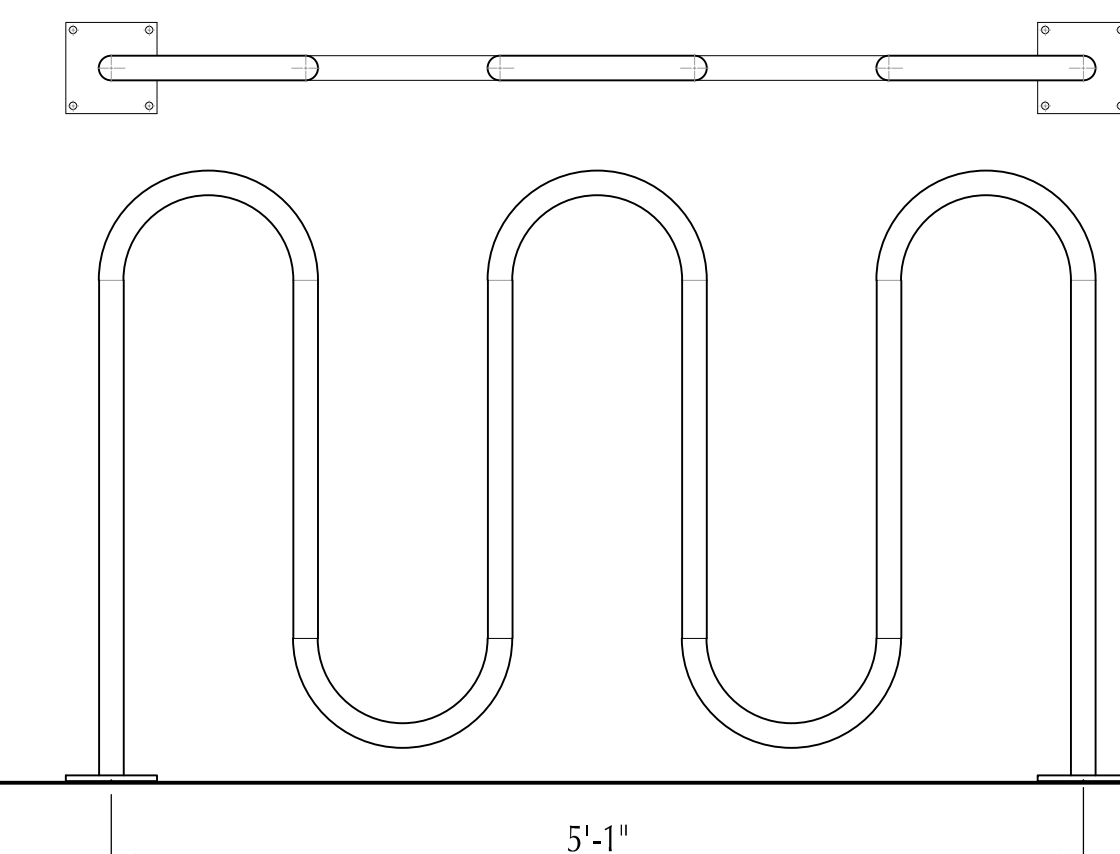


ASH URN MODEL NO. MLAU300  
H.S. STEEL TUBE WITH FIRE RESISTANT REMOVABLE LINER WITH SURFACE MOUNT ATTACHMENT  
MANUFACTURER: MAGLIN SITE FURNITURE  
CONTACT: JILL ROBERTS, REGIONAL SALES MANAGER, JROBERTS@MAGLIN.COM, T:800.716.5506, F:877.260.9393

NOTE: ATTACH TO 4\"/>

**3 ASH URN**  
SCALE: N.T.S.

BIKE RACK MODEL NO. MLB402  
H.S. STEEL TUBE, SURFACE MOUNT ATTACHMENT  
MANUFACTURER: MAGLIN SITE FURNITURE  
CONTACT: JILL ROBERTS, REGIONAL SALES MANAGER, JROBERTS@MAGLIN.COM, T:800.716.5506, F:877.260.9393



NOTE: ATTACH TO 4\"/>

**4 BIKE RACK**  
SCALE: 1" = 1'-0"

MARK	DATE	DESCRIPTION
1	11/07/12	Preliminary Site Development Plans
2	03/22/13	Revised Site Development Plans