

APPENDIX D

Manhole Inspection Reports

Westwood Manhole Inspections

Manhole ID	<u>06/091</u>	Rim to Invert	<u>93"</u>
Street	<u>Loring St.</u>	Inner Diameter	<u>4'</u>
Date	<u>5/11/2021</u>	Material	<u>Concrete</u>
Time	<u>8:15</u>	Cover	<u>Good</u>
Inspector	<u>Maria George</u>	Frame	<u>Good</u>

Defects	Depth	Clock Position	Comments
Missing Brick		12-12	

Comments

Pavement cracking around cover

8" AC, Inv.=93"

06-091 Photos

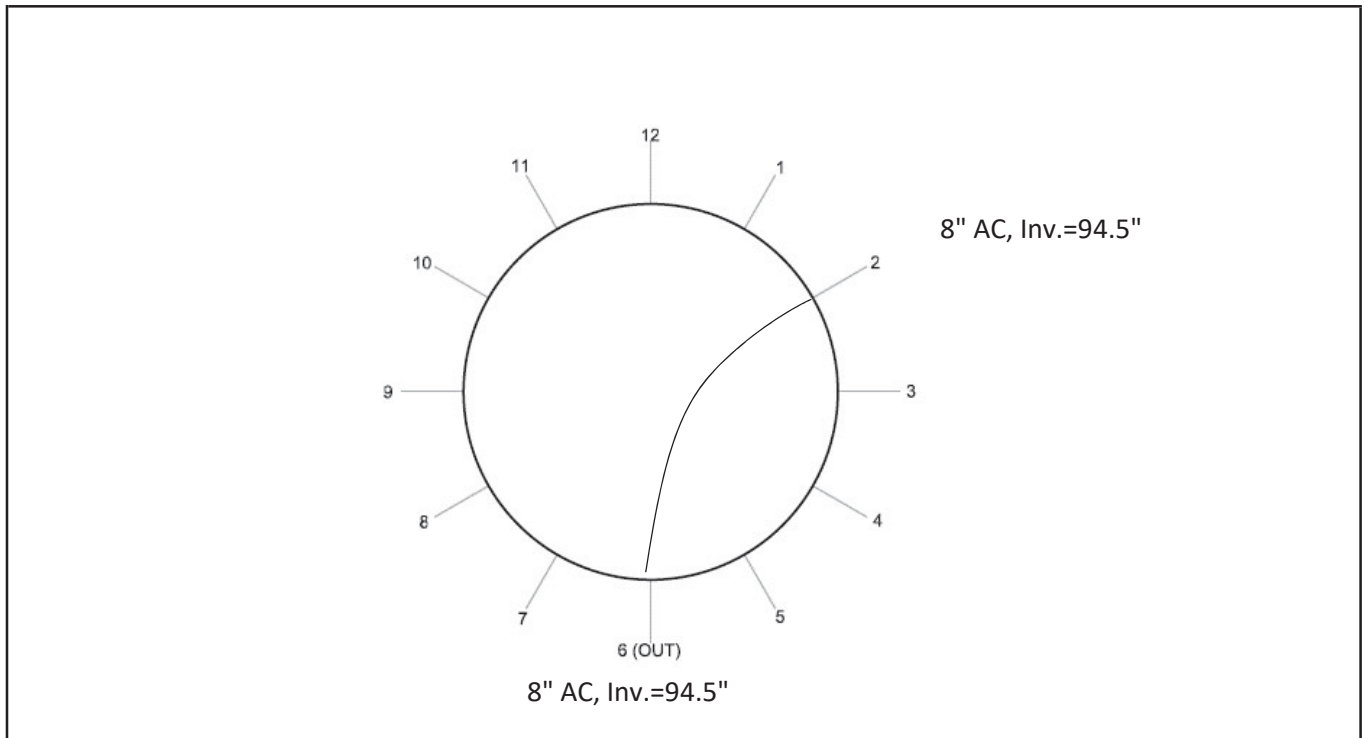


Westwood Manhole Inspections

Manhole ID	<u>06/095</u>	Rim to Invert	<u>94.5"</u>
Street	<u>Washington St.</u>	Inner Diameter	<u>4'</u>
Date	<u>5/11/2021</u>	Material	<u>Concrete</u>
Time	<u>8:30</u>	Cover	<u>Good - Drain</u>
Inspector	<u>Maria George</u>	Frame	<u>Good</u>

Defects	Depth	Clock Position	Comments
Missing Brick		12-12	Chimney
Construction Debris	90"	6-12	On bench
Solids in Channel	94.5"	5-7	

Comments



06-095 Photos



Westwood Manhole Inspections

Manhole ID	<u>06/096</u>	Rim to Invert	<u>124"</u>
Street	<u>Washington @ Lull</u>	Inner Diameter	<u>4'</u>
Date	<u>5/11/2021</u>	Material	<u>Concrete</u>
Time	<u>8:35</u>	Cover	<u>Good - Drain</u>
Inspector	<u>Maria George</u>	Frame	<u>Good - 1" Offset</u>

Defects	Depth	Clock Position	Comments
Missing Mortar	8"-23"	12-12	Chimney
Construction Debris	117"	12-12	On bench
Infiltration Stain	23"	12-12	Chimney
Infiltration Dripper	117"	5-6	On bench

Comments

The top of the external drop connection has a small break on the bottom of the pipe.

Drop pipe has a small break

External Drop Connection
 Top Inv. = 84"
 Bottom Inv. = 124"
 8" AC

8" AC, Inv.=124"

06-096 Photos

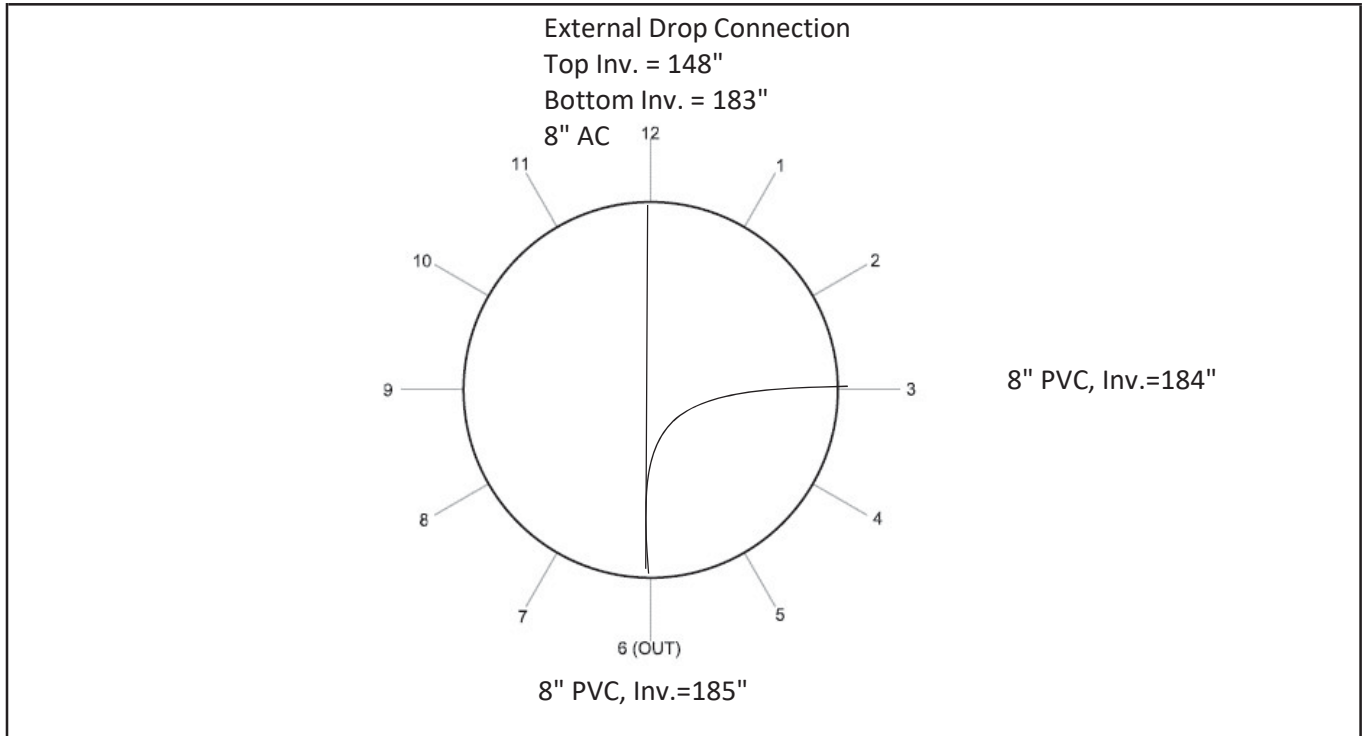


Westwood Manhole Inspections

Manhole ID	<u>06/112</u>	Rim to Invert	<u>185"</u>
Street	<u>Lull St.</u>	Inner Diameter	<u>4'</u>
Date	<u>5/11/2021</u>	Material	<u>Concrete</u>
Time	<u>8:45</u>	Cover	<u>Good</u>
Inspector	<u>Maria George</u>	Frame	<u>Good - 1" Offset</u>

Defects	Depth	Clock Position	Comments

Comments



06-112 Photos

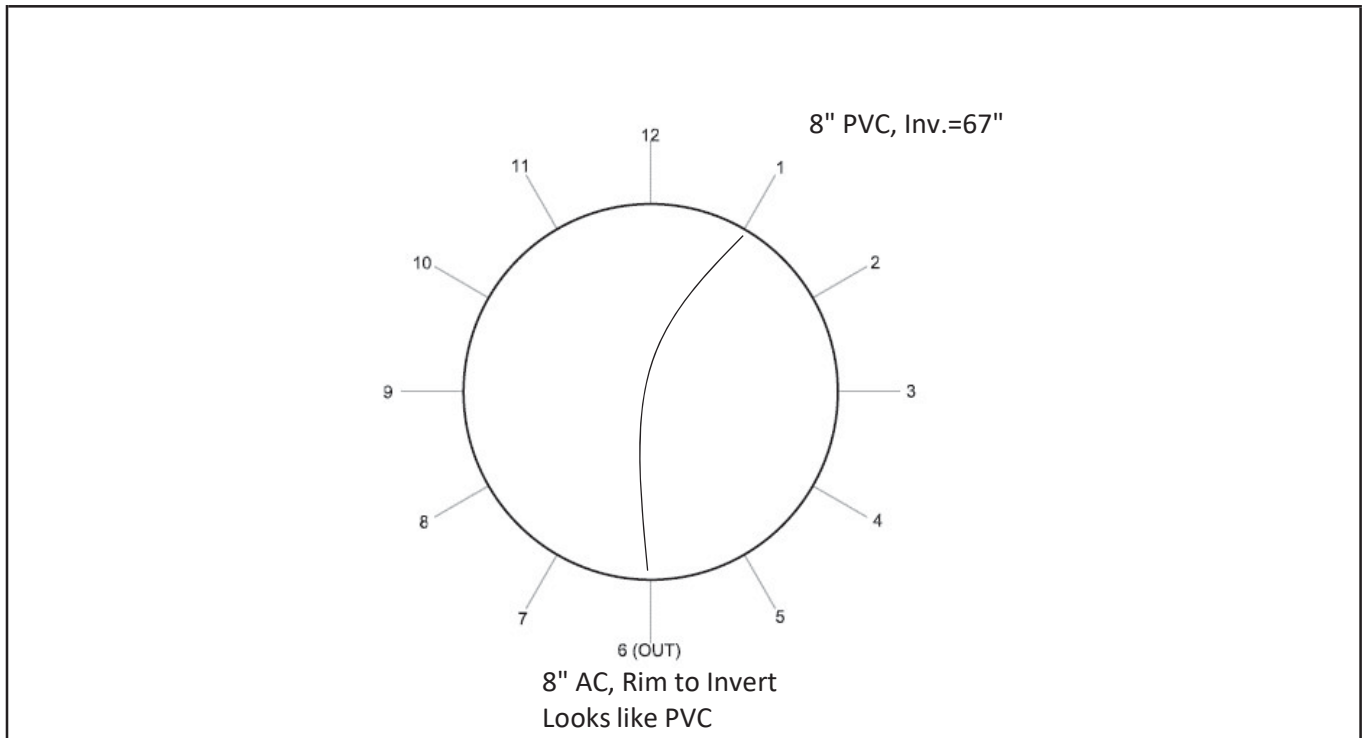


Westwood Manhole Inspections

Manhole ID	<u>06/111</u>	Rim to Invert	<u>67"</u>
Street	<u>Croft Regis Rd.</u>	Inner Diameter	<u>4'</u>
Date	<u>5/11/2021</u>	Material	<u>Concrete</u>
Time	<u>9:00</u>	Cover	<u>Good</u>
Inspector	<u>Maria George</u>	Frame	<u>Good</u>

Defects	Depth	Clock Position	Comments
Construction Debris	59"		On bench
Encrustation	67"		In channel
Infiltration Stain	17"	12-12	Below chimney

Comments



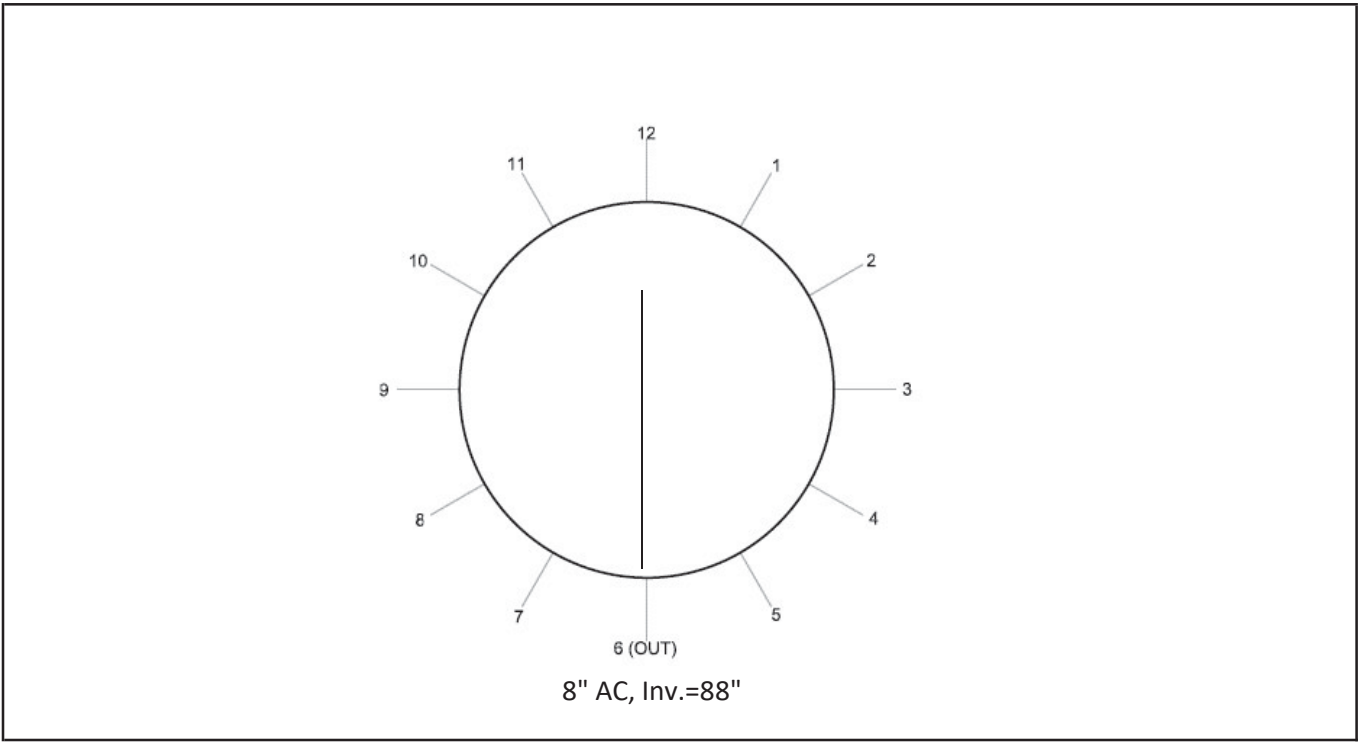


Westwood Manhole Inspections

Manhole ID	<u>08/047</u>	Rim to Invert	<u>Approximately 88"</u>
Street	<u>Washington St.</u>	Inner Diameter	<u>4'</u>
Date	<u>5/11/2021</u>	Material	<u>Concrete</u>
Time	<u>9:10</u>	Cover	<u>Good - Drain</u>
Inspector	<u>Maria George</u>	Frame	<u>Good</u>

Defects	Depth	Clock Position	Comments
Missing Mortar	8"-26.5"	12-12	
Displaced Brick	8"-26.5"	12-12	

Comments



08-047 Photos

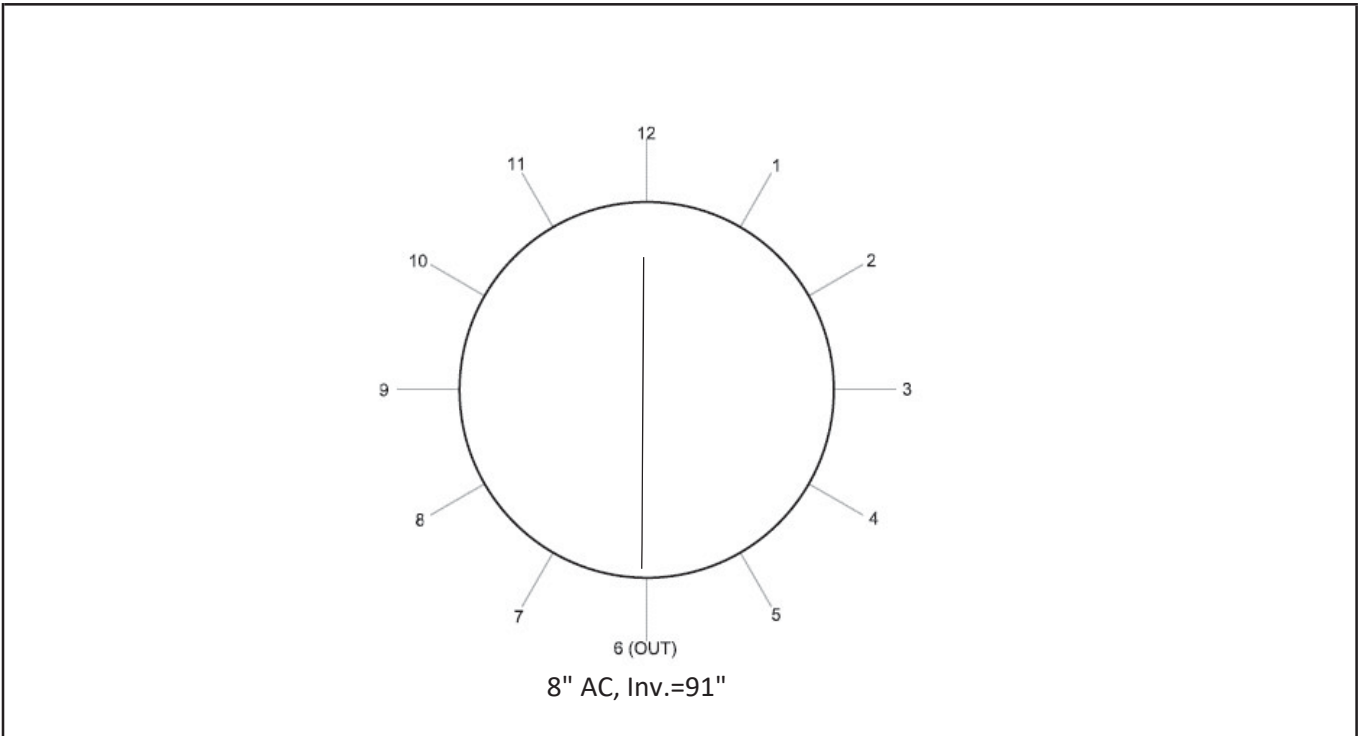


Westwood Manhole Inspections

Manhole ID	<u>08/050</u>	Rim to Invert	<u>91"</u>
Street	<u>Cobleigh St.</u>	Inner Diameter	<u>4'</u>
Date	<u>5/11/2021</u>	Material	<u>Concrete</u>
Time	<u>9:20</u>	Cover	<u>Good</u>
Inspector	<u>Maria George</u>	Frame	<u>Good</u>

Defects	Depth	Clock Position	Comments
Missing Mortar	8.5"-12"	6-12	Small
Infiltration Stain	29"	5-7	

Comments



08-050 Photos

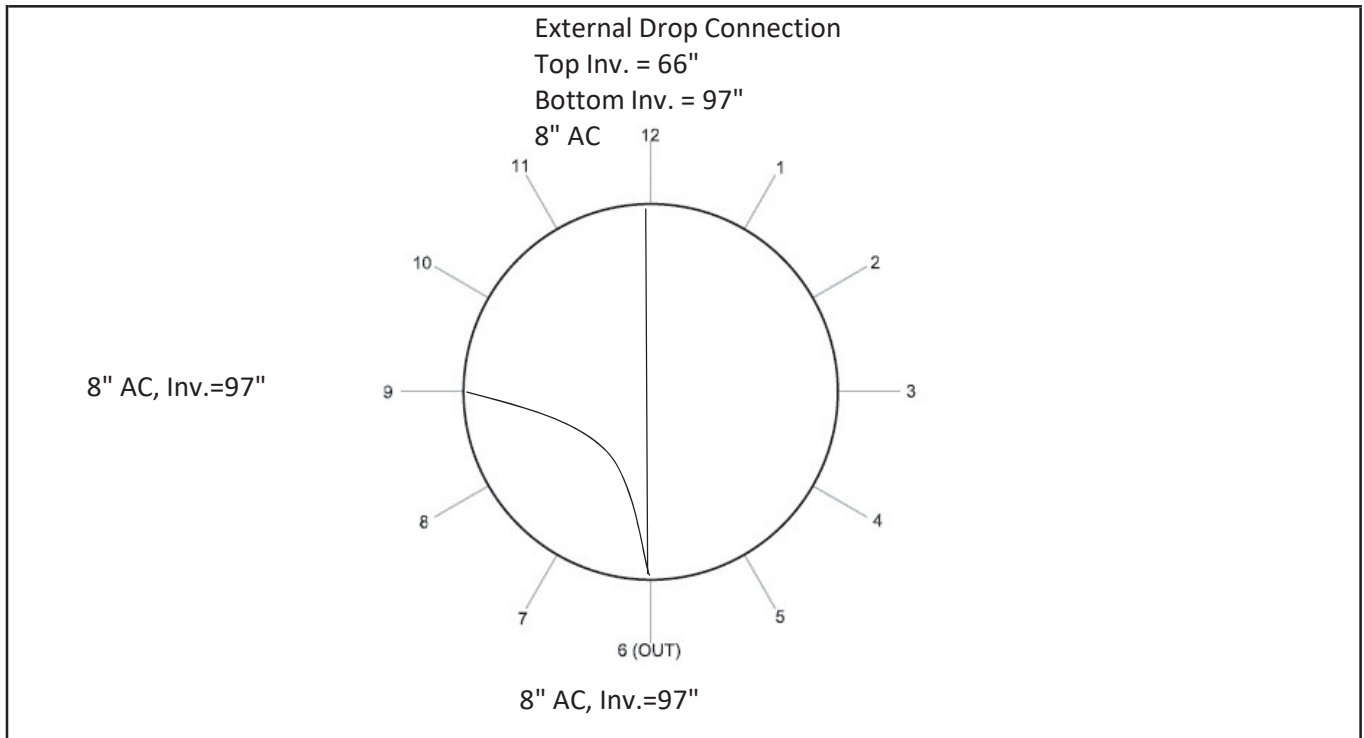


Westwood Manhole Inspections

Manhole ID	<u>08/048</u>	Rim to Invert	<u>97"</u>
Street	<u>Washington @ Cobleigh</u>	Inner Diameter	<u>4'</u>
Date	<u>5/11/2021</u>	Material	<u>Concrete</u>
Time	<u>9:20</u>	Cover	<u>Good</u>
Inspector	<u>Maria George</u>	Frame	<u>Good</u>

Defects	Depth	Clock Position	Comments
Missing Mortar	8"-16"	12-12	
Displaced Brick	8"-16"	12-12	

Comments



08-048 Photos

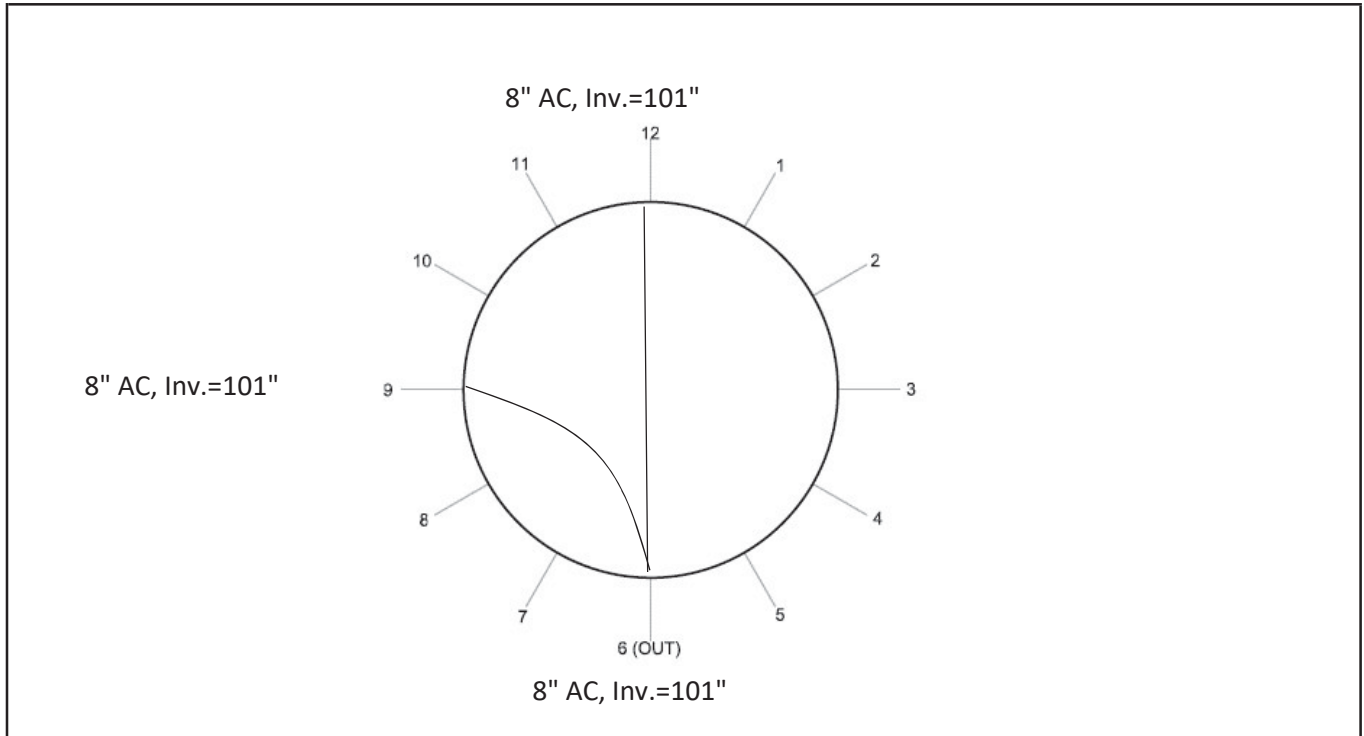


Westwood Manhole Inspections

Manhole ID	<u>08/086</u>	Rim to Invert	<u>101"</u>
Street	<u>Washington @ Hooper</u>	Inner Diameter	<u>4'</u>
Date	<u>5/11/2021</u>	Material	<u>Concrete</u>
Time	<u>9:50</u>	Cover	<u>Good</u>
Inspector	<u>Maria George</u>	Frame	<u>Good</u>

Defects	Depth	Clock Position	Comments
Concrete Debris	95"	2-5	

Comments



08-086 Photos

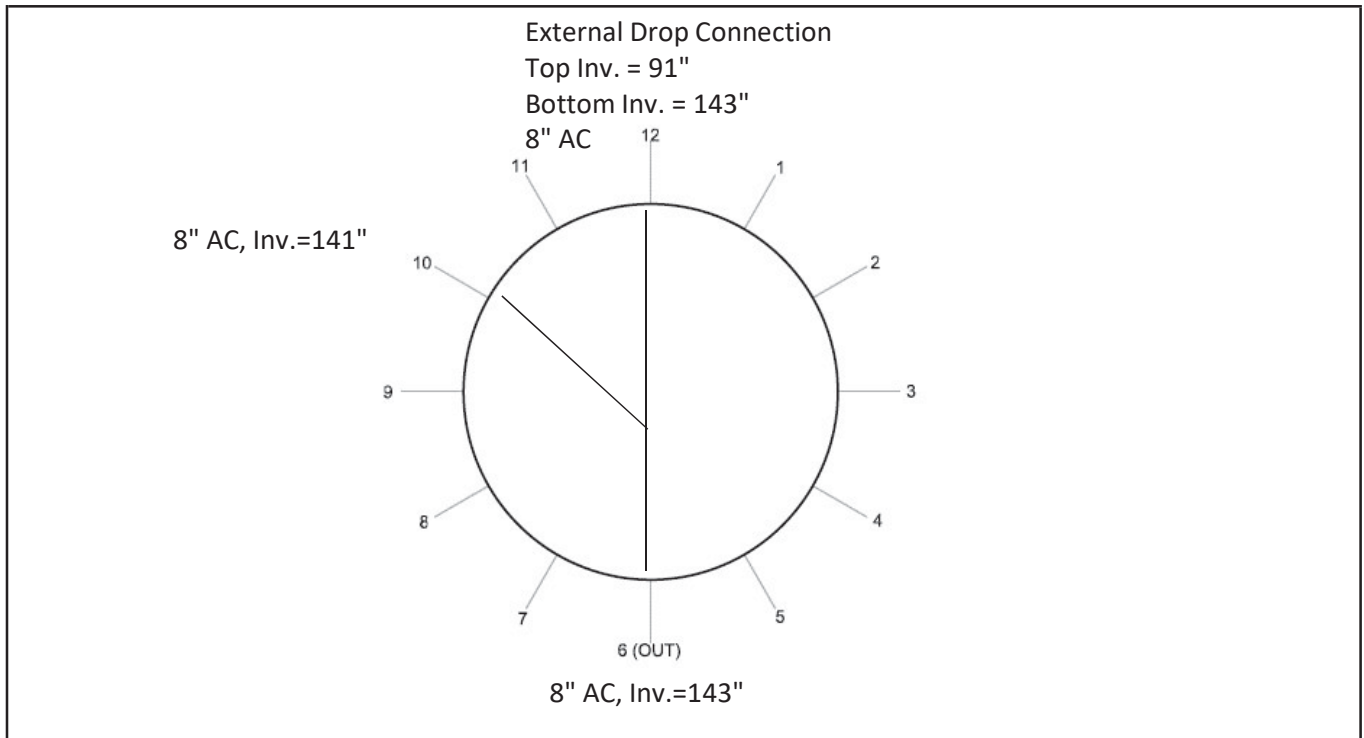


Westwood Manhole Inspections

Manhole ID	<u>08/078</u>	Rim to Invert	<u>143"</u>
Street	<u>Hooper St.</u>	Inner Diameter	<u>4'</u>
Date	<u>5/11/2021</u>	Material	<u>Concrete</u>
Time	<u>10:00</u>	Cover	<u>Good</u>
Inspector	<u>Maria George</u>	Frame	<u>Good</u>

Defects	Depth	Clock Position	Comments
Infiltration Stain	51"	5-6	Partially patched at joint

Comments



08-078 Photos

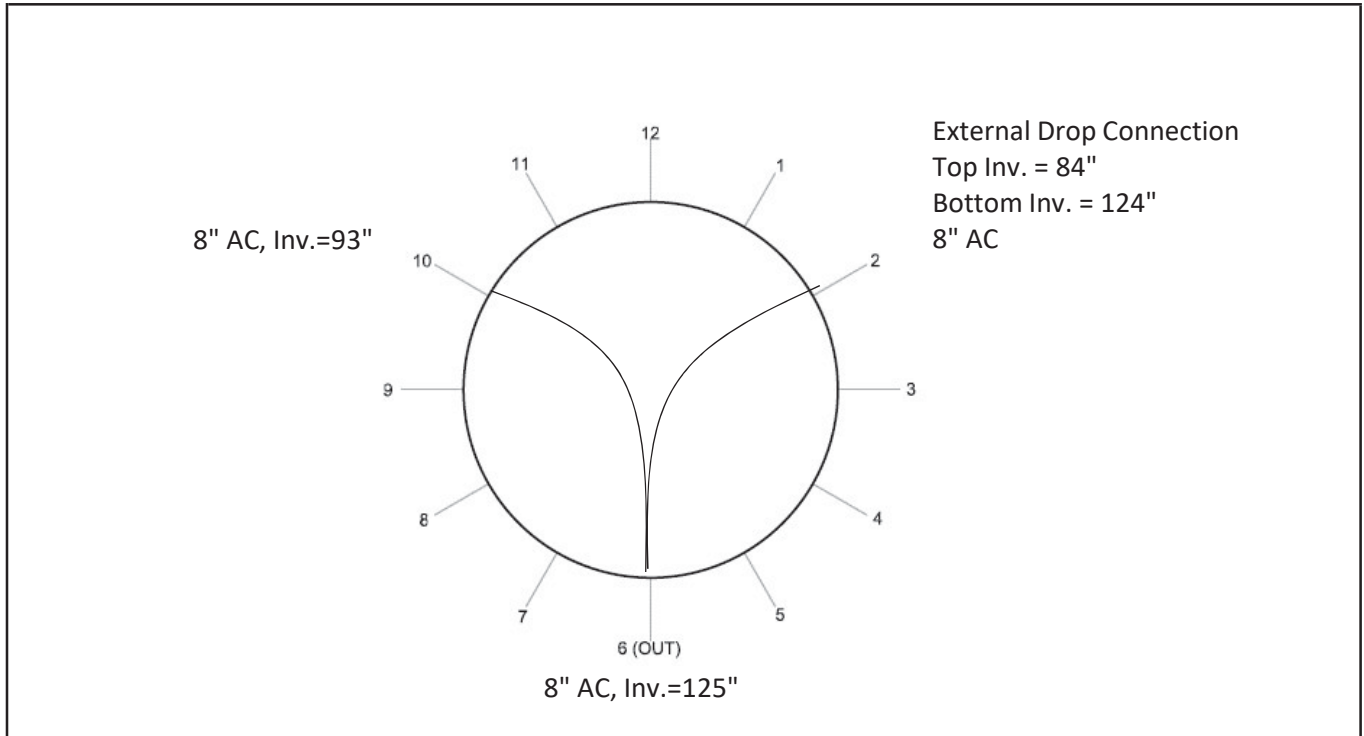


Westwood Manhole Inspections

Manhole ID	<u>08/077</u>	Rim to Invert	<u>125"</u>
Street	<u>Hooper @ Webster</u>	Inner Diameter	<u>4'</u>
Date	<u>5/11/2021</u>	Material	<u>Cement Lined</u>
Time	<u>10:05</u>	Cover	<u>Good</u>
Inspector	<u>Maria George</u>	Frame	<u>Good</u>

Defects	Depth	Clock Position	Comments
Small Crack	8"-16"	9-11	

Comments





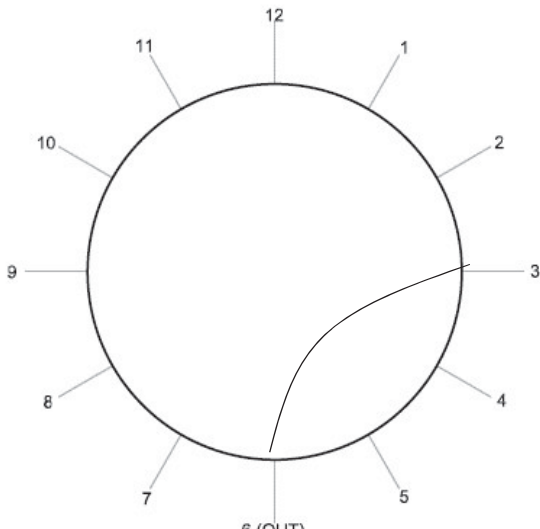
Westwood Manhole Inspections

Manhole ID	<u>08/087</u>	Rim to Invert	<u>160"</u>
Street	<u>Alcott Ln.</u>	Inner Diameter	<u>4'</u>
Date	<u>5/11/2021</u>	Material	<u>Concrete</u>
Time	<u>10:20</u>	Cover	<u>Good</u>
Inspector	<u>Maria George</u>	Frame	<u>Good</u>

Defects	Depth	Clock Position	Comments
Missing Mortar	7"-25"	12-12	
Displaced Brick	7"-25"	12-12	
Infiltration Stain	106"	12-12	

Comments

153" to bench



8" AC, Inv.=159"

8" AC, Inv.=160"

08-087 Photos

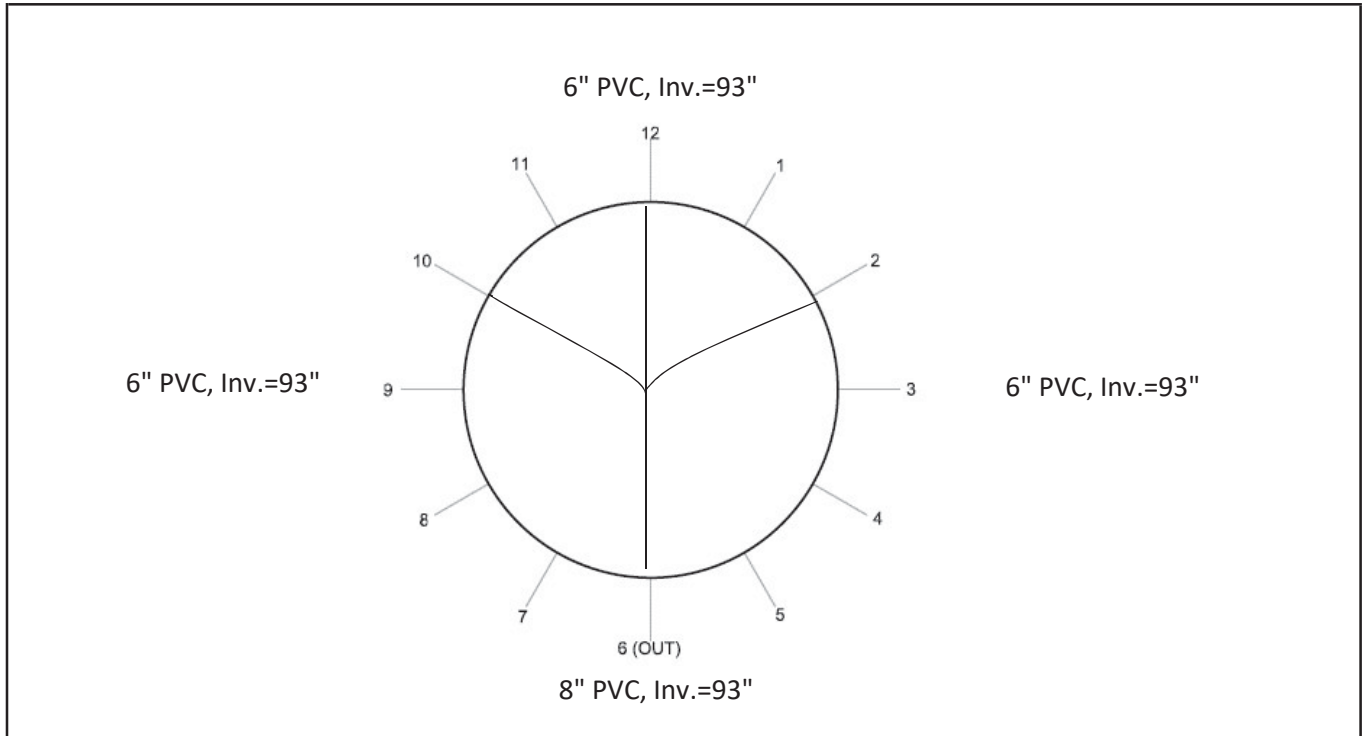


Westwood Manhole Inspections

Manhole ID	<u>08/088</u>	Rim to Invert	<u>93"</u>
Street	<u>Alcott Ln.</u>	Inner Diameter	<u>4'</u>
Date	<u>5/11/2021</u>	Material	<u>Concrete - Cement Lined</u>
Time	<u>10:30</u>	Cover	<u>Good</u>
Inspector	<u>Maria George</u>	Frame	<u>Good - Offest 3"</u>

Defects	Depth	Clock Position	Comments
Minor Cracks	8"-20"	12-12	Circumferential
Infiltration Stain	8"-20"	12-12	
Missing Mortar	8"-20"		

Comments



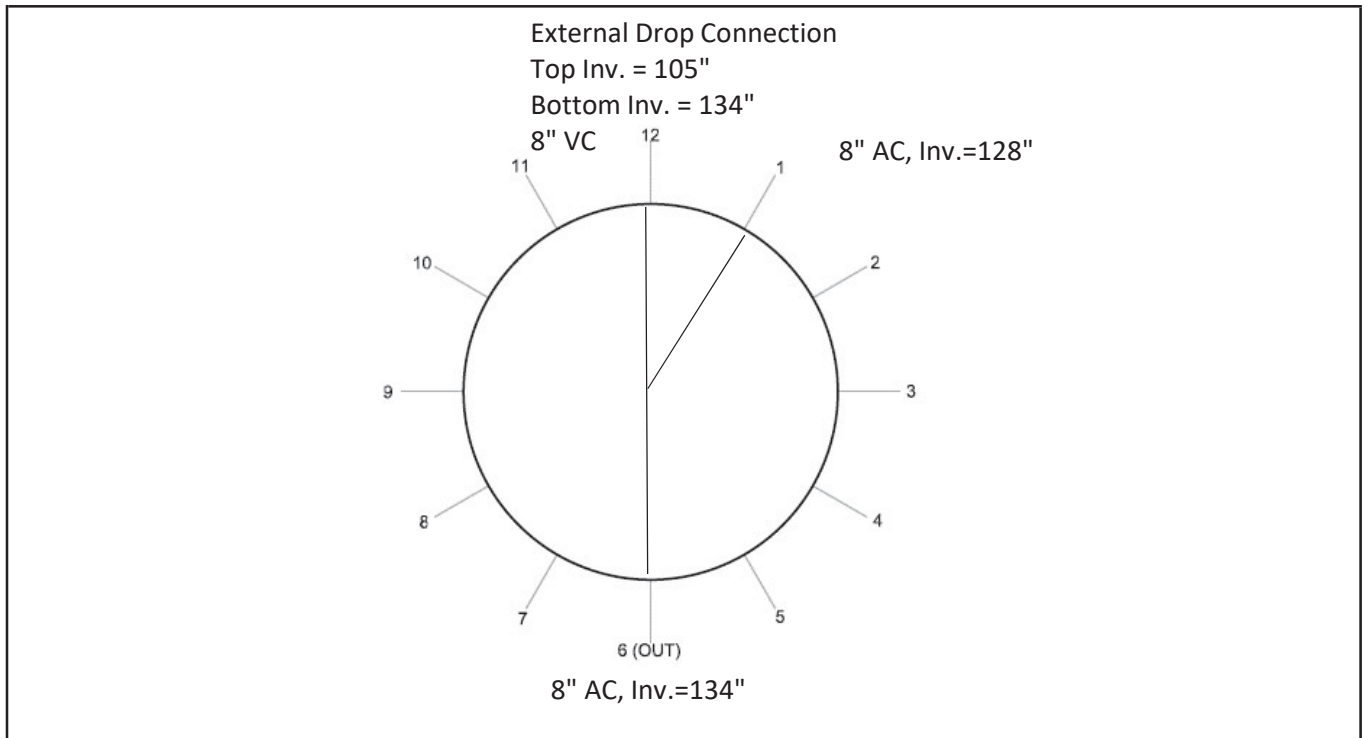


Westwood Manhole Inspections

Manhole ID	<u>08/089</u>	Rim to Invert	<u>134"</u>
Street	<u>Washington @ Alcott</u>	Inner Diameter	<u>4'</u>
Date	<u>5/11/2021</u>	Material	<u>Concrete</u>
Time	<u>10:40</u>	Cover	<u>Good</u>
Inspector	<u>Maria George</u>	Frame	<u>Good - Offset 3"</u>

Defects	Depth	Clock Position	Comments
Missing Mortar	9"-18"	12-12	
Displaced Brick	9"-18"	12-12	

Comments





Westwood Manhole Inspections

Manhole ID	<u>08/090</u>	Rim to Invert	<u>118"</u>
Street	<u>Washington @ Wentworth</u>	Inner Diameter	<u>4'</u>
Date	<u>5/11/2021</u>	Material	<u>Concrete</u>
Time	<u>10:50</u>	Cover	<u>Good</u>
Inspector	<u>Maria George</u>	Frame	<u>Good</u>

Defects	Depth	Clock Position	Comments
Infiltration Stain	73"	10, 11	
Missing Mortar		12-12	

Comments

Brick in invert - removed by DPW

8" AC, Inv.=118"

12

11

1

10

2

9

3

8

4

7

5

6 (OUT)

8" AC, Inv.=118"

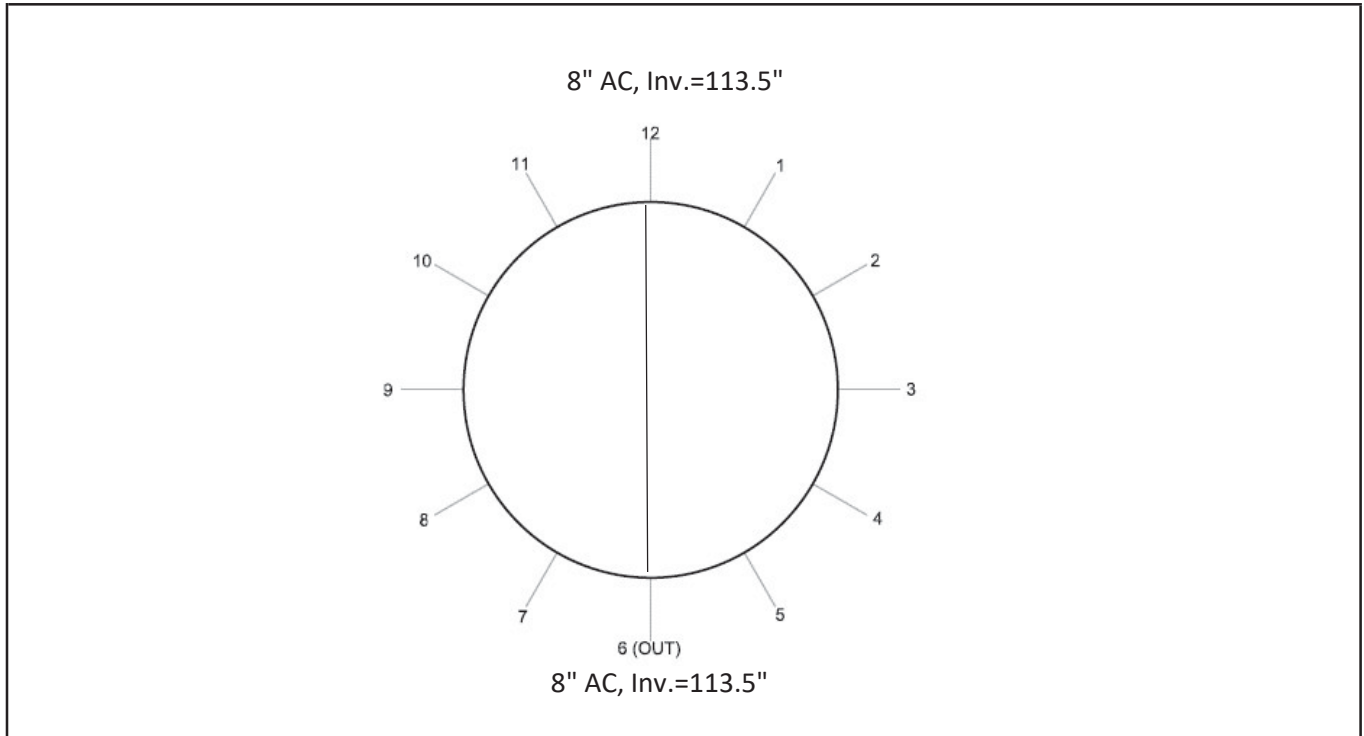


Westwood Manhole Inspections

Manhole ID	<u>08/091</u>	Rim to Invert	<u>113.5"</u>
Street	<u>Waldo @ Washington</u>	Inner Diameter	<u>4'</u>
Date	<u>5/11/2021</u>	Material	<u>Concrete</u>
Time	<u>11:10</u>	Cover	<u>Good</u>
Inspector	<u>Maria George</u>	Frame	<u>Good</u>

Defects	Depth	Clock Position	Comments
Missing Mortar	8.5"-15"	12-12	Chimney
Displaced Brick	8.5"-15"	12-12	Chimney
Infiltration Stain	15"	12-12	Chimney

Comments



08-091 Photos

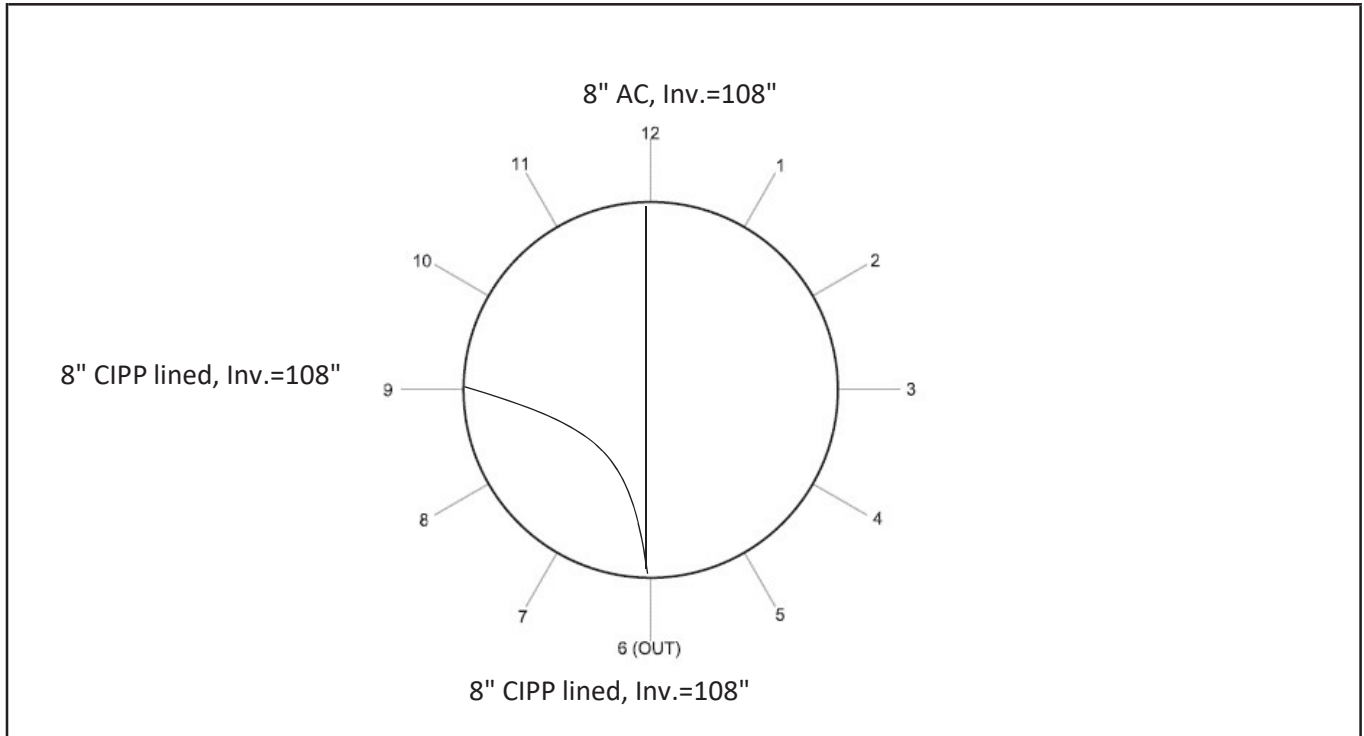


Westwood Manhole Inspections

Manhole ID	<u>08/092</u>	Rim to Invert	<u>108"</u>
Street	<u>Washington @ Dean</u>	Inner Diameter	<u>4'</u>
Date	<u>5/11/2021</u>	Material	<u>Concrete</u>
Time	<u>11:20</u>	Cover	<u>Good</u>
Inspector	<u>Maria George</u>	Frame	<u>Good</u>

Defects	Depth	Clock Position	Comments
Missing Mortar	8.5"-18"	12-12	
Debris	101"	12-6	On bench

Comments



08-092 Photos

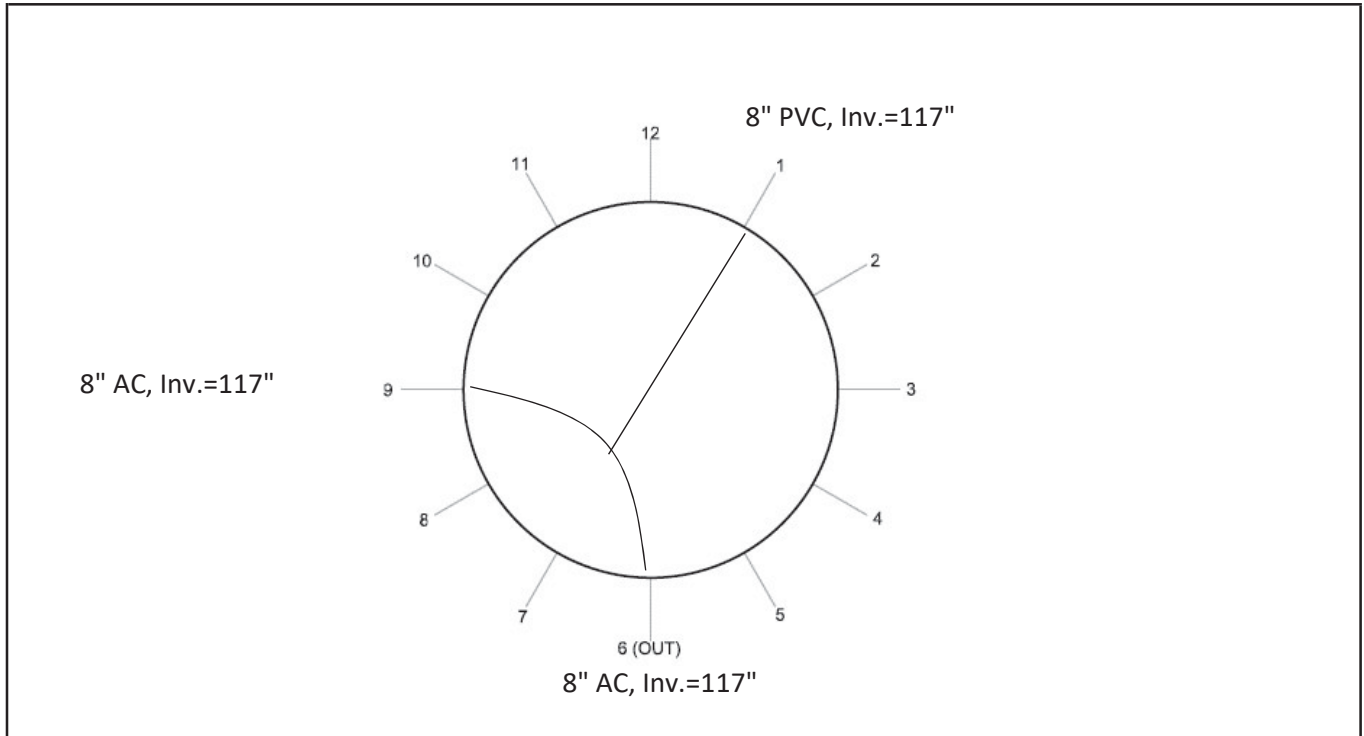


Westwood Manhole Inspections

Manhole ID	<u>08/101</u>	Rim to Invert	<u>117"</u>
Street	<u>East St.</u>	Inner Diameter	<u>4'</u>
Date	<u>5/11/2021</u>	Material	<u>Concrete</u>
Time	<u>11:45</u>	Cover	<u>Good</u>
Inspector	<u>Maria George</u>	Frame	<u>Good</u>

Defects	Depth	Clock Position	Comments
Infiltration Runner	109"	7-8	On bench
Cut Gasket			

Comments



08-101 Photos

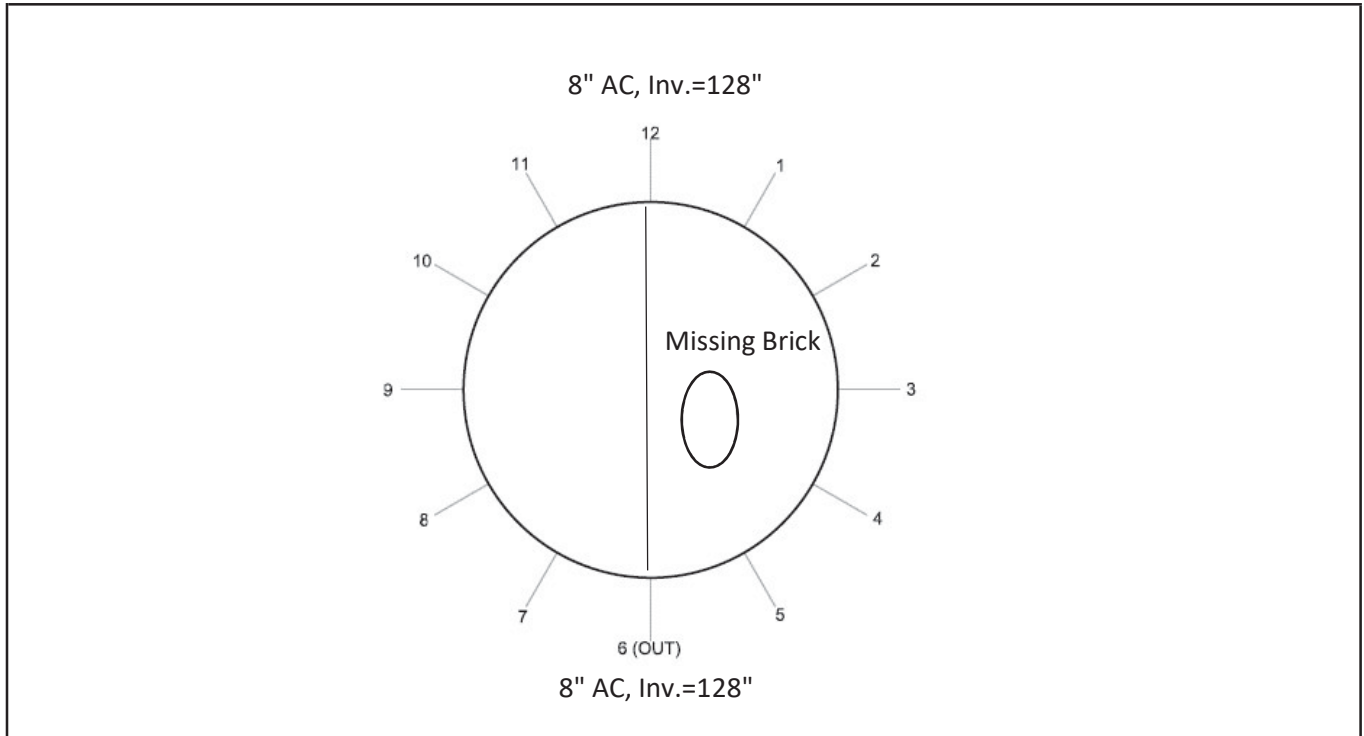


Westwood Manhole Inspections

Manhole ID	<u>08/099</u>	Rim to Invert	<u>128"</u>
Street	<u>East St.</u>	Inner Diameter	<u>4'</u>
Date	<u>5/11/2021</u>	Material	<u>Concrete</u>
Time	<u>11:50</u>	Cover	<u>Good</u>
Inspector	<u>Maria George</u>	Frame	<u>Good</u>

Defects	Depth	Clock Position	Comments
Missing Brick	119"	2-4	On bench
Infiltration Stain	64"	2, 8	

Comments



08-099 Photos

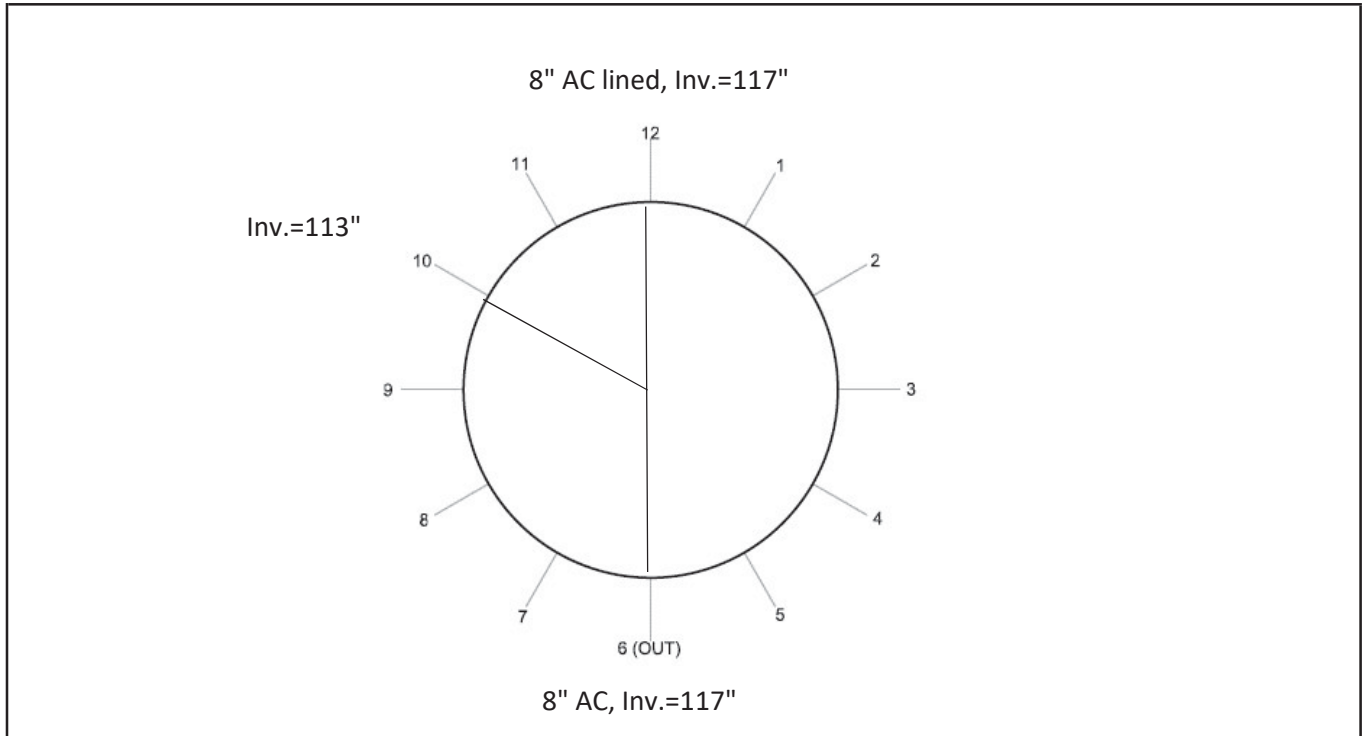


Westwood Manhole Inspections

Manhole ID	<u>08/139</u>	Rim to Invert	<u>117"</u>
Street	<u>East St.</u>	Inner Diameter	<u>4'</u>
Date	<u>5/11/2021</u>	Material	<u>Concrete - Looks Lined</u>
Time	<u>12:00</u>	Cover	<u>Good</u>
Inspector	<u>Maria George</u>	Frame	<u>Good - Offset 4"</u>

Defects	Depth	Clock Position	Comments
Infiltration Stain	43"	10-12	

Comments



08-139 Photos



Westwood Manhole Inspections

Manhole ID	<u>08/102</u>	Rim to Invert	<u>130"</u>
Street	<u>Washington St.</u>	Inner Diameter	<u>4'</u>
Date	<u>5/11/2021</u>	Material	<u>Concrete</u>
Time	<u>12:20</u>	Cover	<u>Good</u>
Inspector	<u>Maria George</u>	Frame	<u>Good</u>

Defects	Depth	Clock Position	Comments
Missing Mortar	9"-34"	12-12	
Infiltration Stain	120"	2, 11	

Comments

SMH located on graden bed near parking lot
Chimney is brick and block

8" AC, Inv.=130"

6" PVC Service, Inv.=120"

8" AC, Inv.=130"

6 (OUT)

08-102 Photos

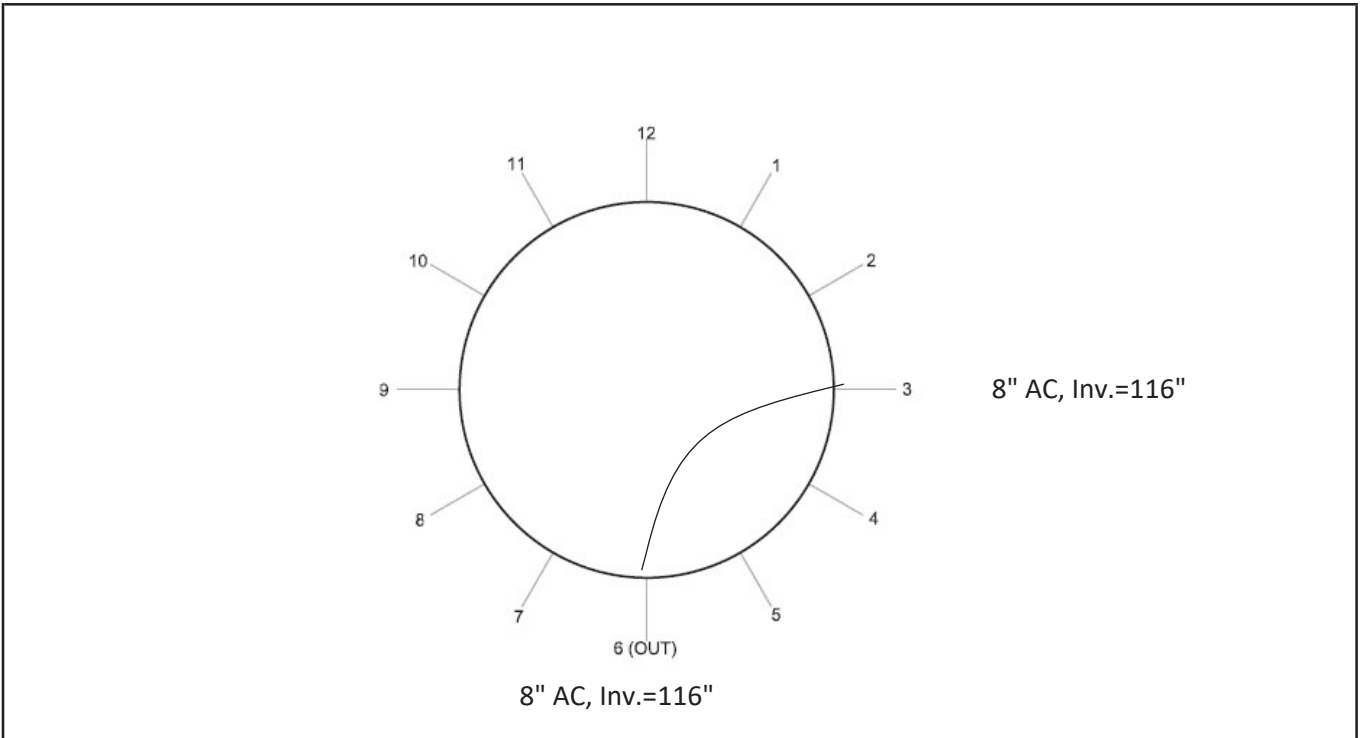


Westwood Manhole Inspections

Manhole ID	<u>08/103</u>	Rim to Invert	<u>116"</u>
Street	<u>Washington @ Roche Bros</u>	Inner Diameter	<u>4'</u>
Date	<u>5/11/2021</u>	Material	<u>Concrete</u>
Time	<u>12:30</u>	Cover	<u>Good</u>
Inspector	<u>Maria George</u>	Frame	<u>Good</u>

Defects	Depth	Clock Position	Comments
Infiltration Strain	27"	7-8	
Infiltration Dripper	95"	2:30	

Comments



08-103 Photos

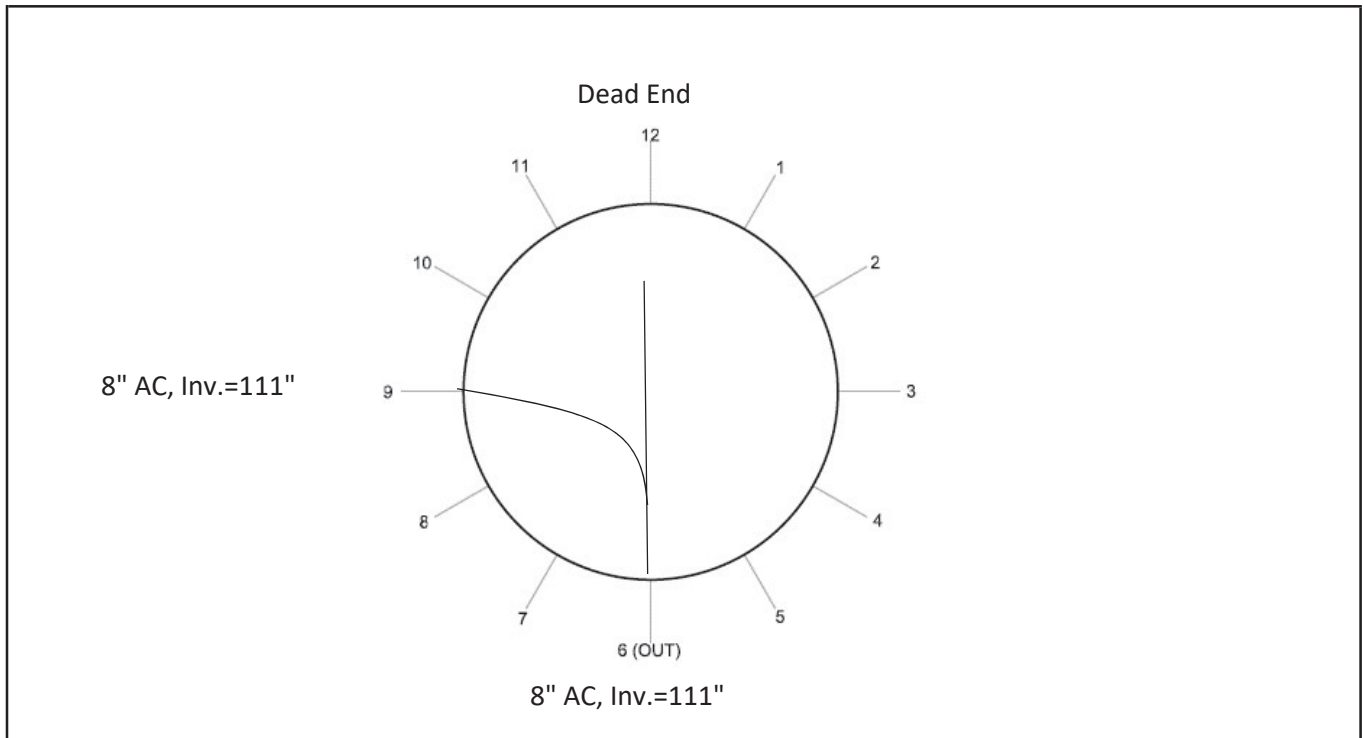


Westwood Manhole Inspections

Manhole ID	<u>08/104</u>	Rim to Invert	<u>Approximately 111"</u>
Street	<u>Washington @ Roche Bros.</u>	Inner Diameter	<u>4'</u>
Date	<u>5/11/2021</u>	Material	<u>Concrete</u>
Time	<u>12:40</u>	Cover	<u>Good - Rusty</u>
Inspector	<u>Maria George</u>	Frame	<u>Good</u>

Defects	Depth	Clock Position	Comments
Roots Minor	9"	12-12	Below frame
Root Ball	63"	3-5	At joint
Missing Mortar	9"-20"	12-12	
Infiltration Stain	20"	12-12	

Comments





Westwood Manhole Inspections

Manhole ID	<u>08/105</u>	Rim to Invert	<u>106"</u>
Street	<u>Washington St.</u>	Inner Diameter	<u>4'</u>
Date	<u>5/11/2021</u>	Material	<u>Concrete</u>
Time	<u>1:00</u>	Cover	<u>Good</u>
Inspector	<u>Maria George</u>	Frame	<u>Good - Offset 4"</u>

Defects	Depth	Clock Position	Comments
Missing Mortar	8"-12"	12-12	
Displaced Brick	8"-12"		
Medium Roots	12"	12-12	

Comments

Buried 4" under soil near end of fence post

8" AC, Inv.=106"

6" AC, Inv.=87"

6 (OUT)

8" AC, Inv.=106"

08-105 Photos

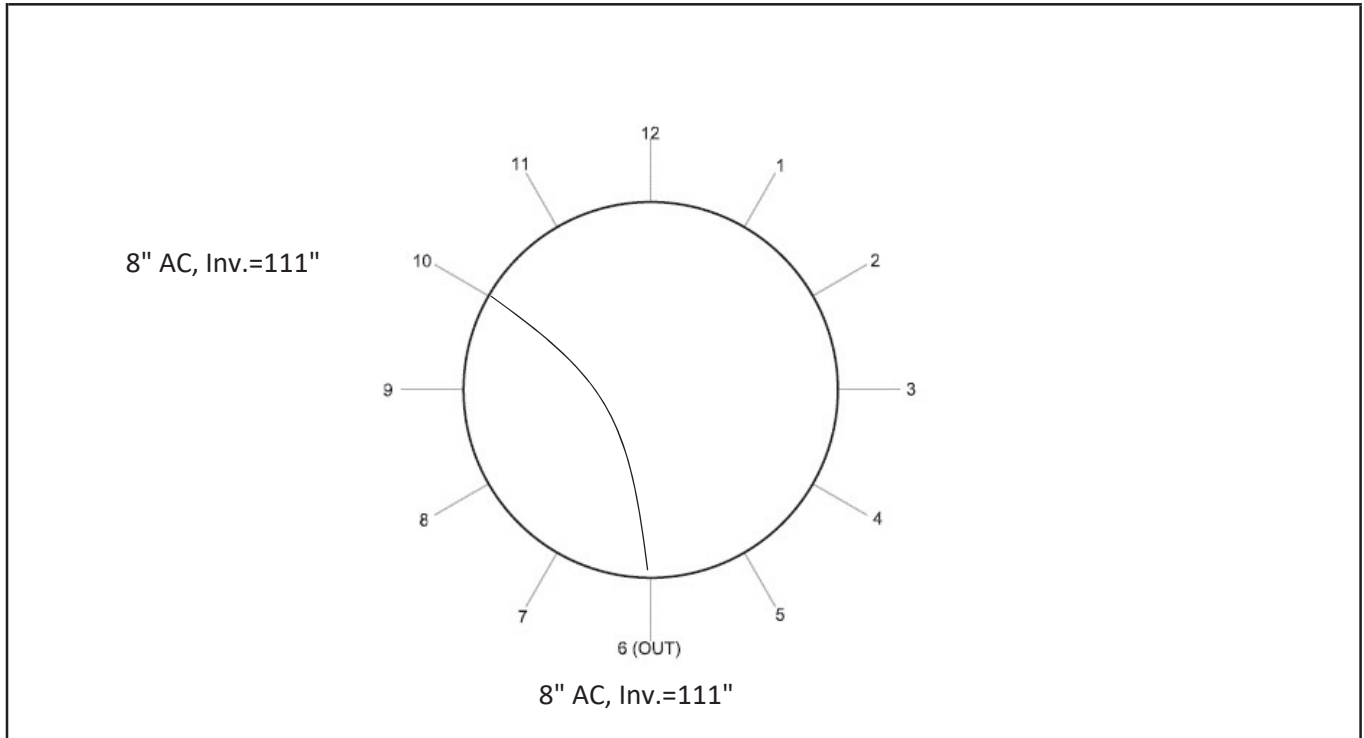


Westwood Manhole Inspections

Manhole ID	<u>08/120</u>	Rim to Invert	<u>111"</u>
Street	<u>Brookfield Rd.</u>	Inner Diameter	<u>4'</u>
Date	<u>5/11/2021</u>	Material	<u>Concrete</u>
Time	<u>1:10</u>	Cover	<u>Good</u>
Inspector	<u>Maria George</u>	Frame	<u>Good</u>

Defects	Depth	Clock Position	Comments
Displaced Brick	8"-10"	12-12	
Missing Mortar	8"-10"	12-12	
Infiltration Stain	10"	12-12	

Comments



08-120 Photos

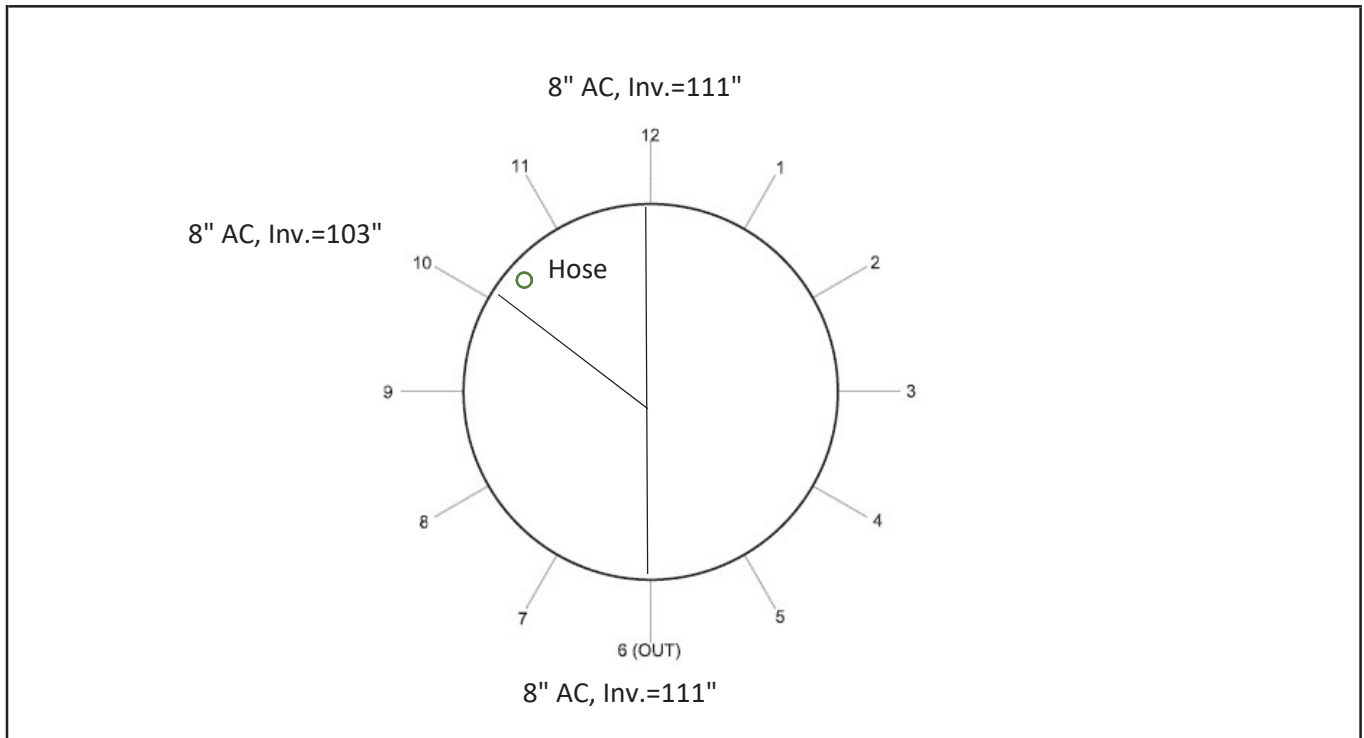


Westwood Manhole Inspections

Manhole ID	<u>08/121</u>	Rim to Invert	<u>111"</u>
Street	<u>Washington St.</u>	Inner Diameter	<u>4'</u>
Date	<u>5/11/2021</u>	Material	<u>Conc.</u>
Time	<u>1:20</u>	Cover	<u>Good</u>
Inspector	<u>Maria George</u>	Frame	<u>Good</u>

Defects	Depth	Clock Position	Comments
Infiltration Stain	28"	12-2, 6	
Infiltration Stain	~40"	10	

Comments







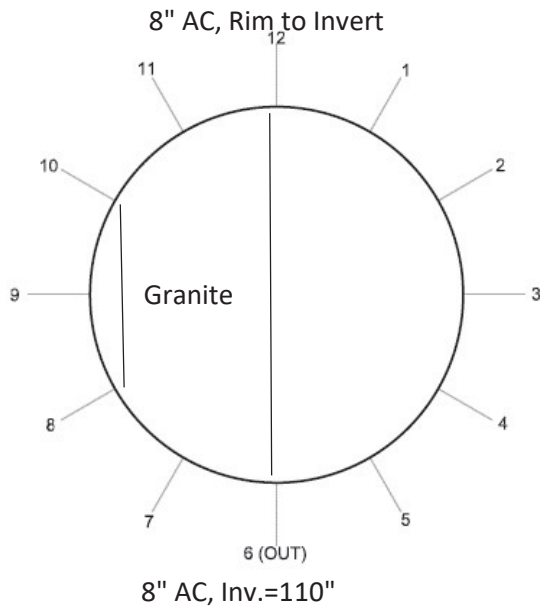
Westwood Manhole Inspections

Manhole ID	<u>08/122</u>	Rim to Invert	<u>110"</u>
Street	<u>Washington St.</u>	Inner Diameter	<u>4'</u>
Date	<u>5/11/2021</u>	Material	<u>Cement Lined</u>
Time	<u>1:30</u>	Cover	<u>Good</u>
Inspector	<u>Maria George</u>	Frame	<u>Ok - Chipped, Offset 3"</u>

Defects	Depth	Clock Position	Comments
Offset Chimney	23"	12-6	7"
Granite in Riser			

Comments

The granite in the riser is granite curbing that is built into the structure. The clearance access is approximately 24" wide, and is below the granite curb. DPW is concerned that personnel cannot fit through this constricted opening.



08-122 Photos

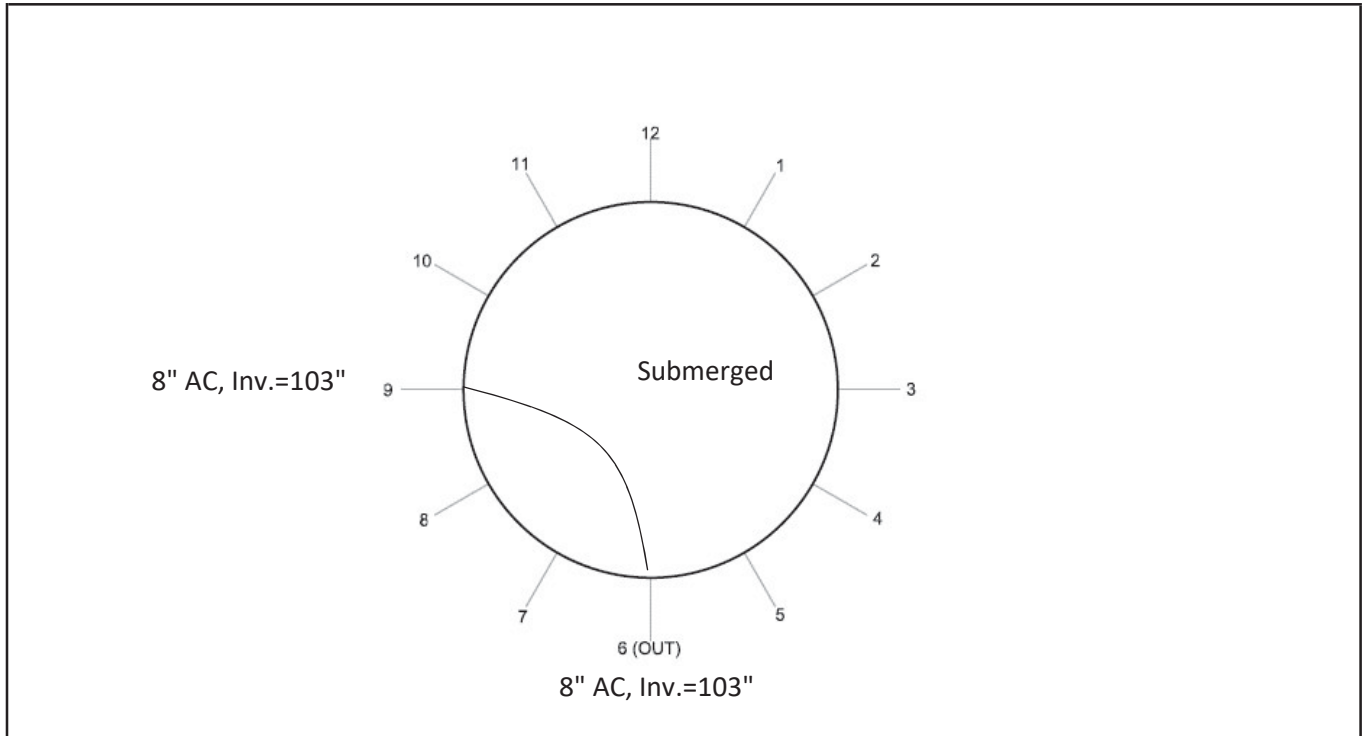


Westwood Manhole Inspections

Manhole ID	<u>08/140</u>	Rim to Invert	<u>103"</u>
Street	<u>Washington St.</u>	Inner Diameter	<u>4'</u>
Date	<u>5/11/2021</u>	Material	<u>Concrete</u>
Time	<u>1:35</u>	Cover	<u>Good</u>
Inspector	<u>Maria George</u>	Frame	<u>Good - Offset 6"</u>

Defects	Depth	Clock Position	Comments
Infiltration Runner	99.5"	5:30	
Submerged Bench	99.5"	12-12	

Comments



08-140 Photos

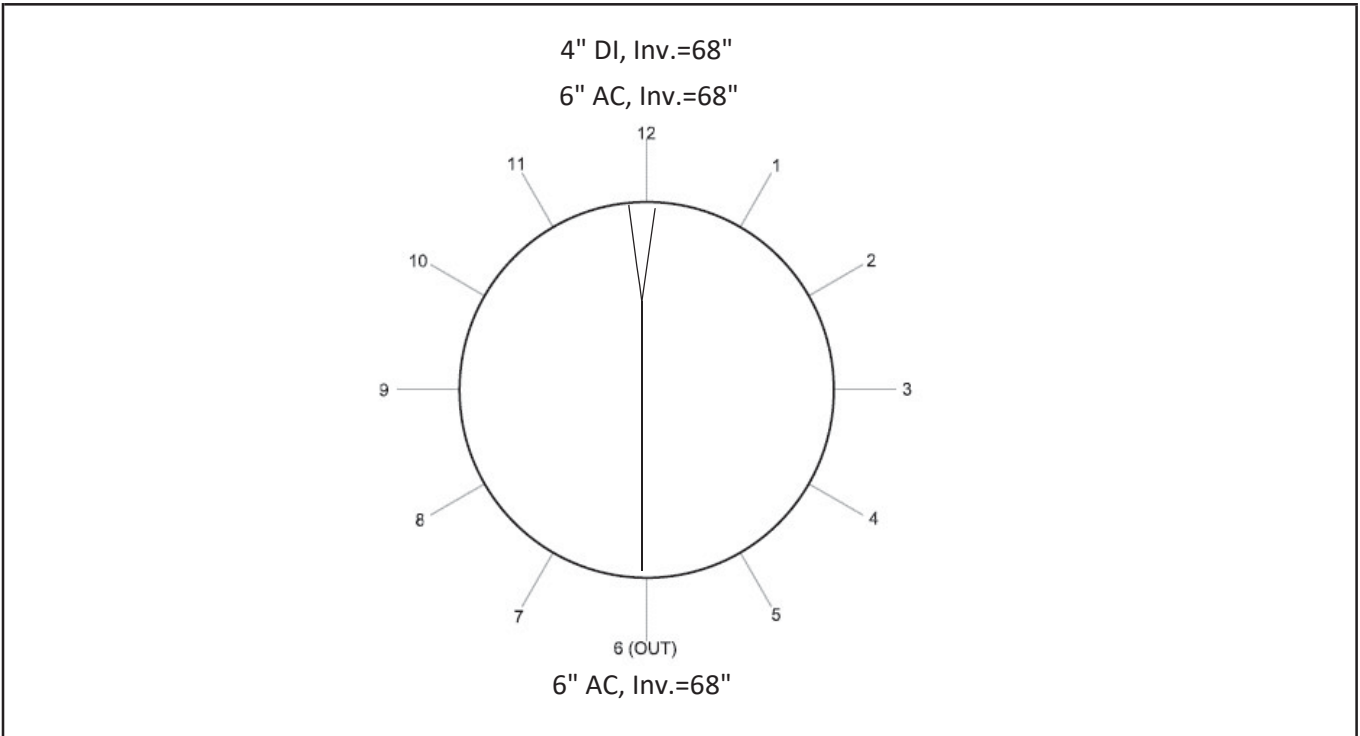


Westwood Manhole Inspections

Manhole ID	<u>08/126</u>	Rim to Invert	<u>68"</u>
Street	<u>Across Grafton Ave.</u>	Inner Diameter	<u>4'</u>
Date	<u>5/11/2021</u>	Material	<u>Concrete</u>
Time	<u>1:50</u>	Cover	<u>Good</u>
Inspector	<u>Maria George</u>	Frame	<u>Good</u>

Defects	Depth	Clock Position	Comments
Cement/Debris	62"	12-12	On Bench

Comments



08-126 Photos

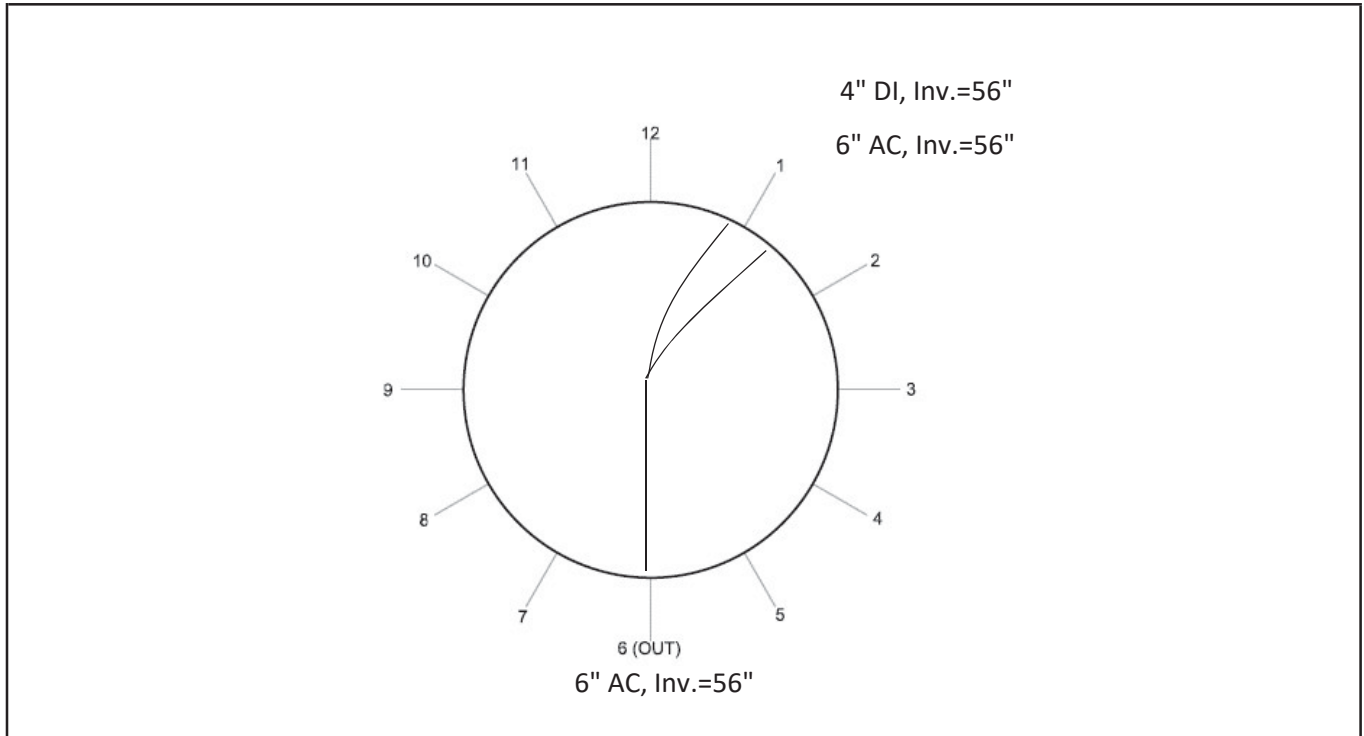


Westwood Manhole Inspections

Manhole ID	<u>08/127</u>	Rim to Invert	<u>56"</u>
Street	<u>Washington St.</u>	Inner Diameter	<u>4'</u>
Date	<u>5/11/2021</u>	Material	<u>Concrete</u>
Time	<u>2:00</u>	Cover	<u>Good</u>
Inspector	<u>Maria George</u>	Frame	<u>Good</u>

Defects	Depth	Clock Position	Comments
Roots Fine	15"	12-2	
Compacted Dirt	49"		On Bench
Roots Fine	34"	12	
Root Ball	49"	2	

Comments



08-127 Photos

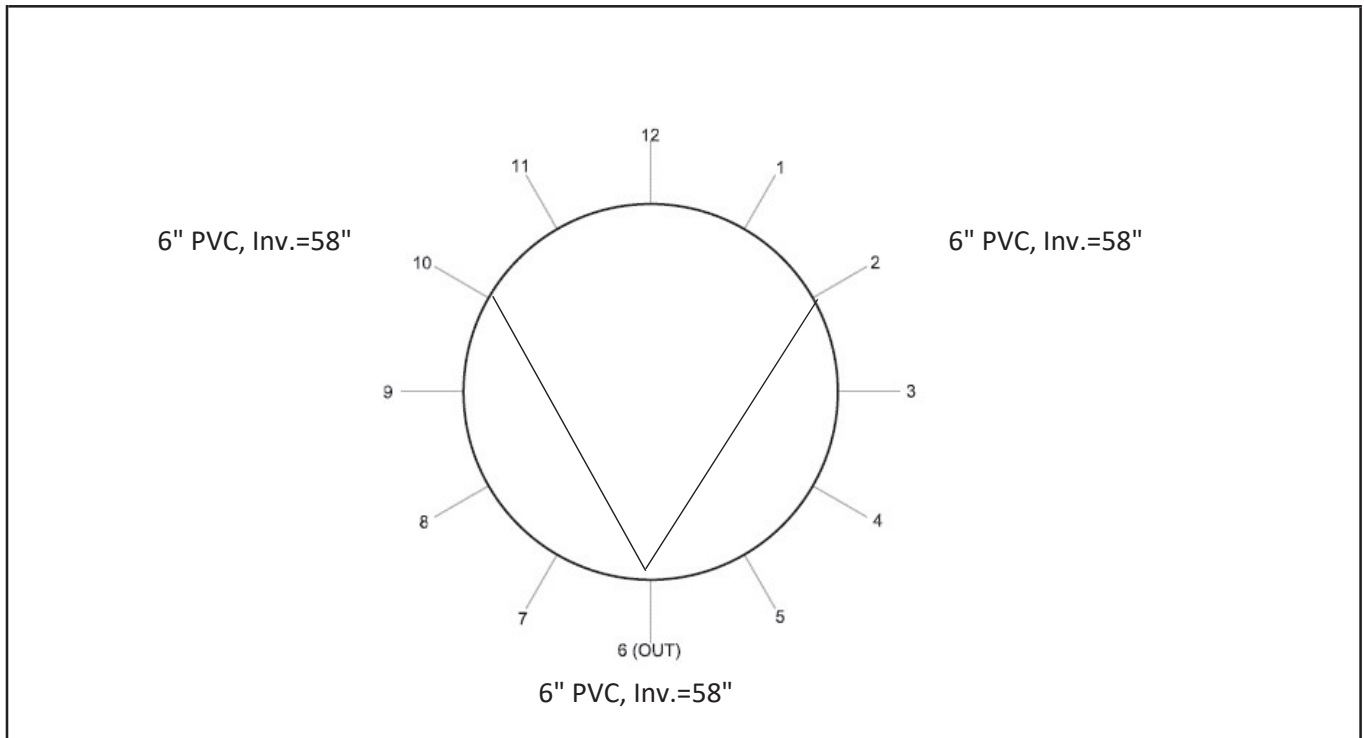


Westwood Manhole Inspections

Manhole ID	<u>08/131</u>	Rim to Invert	<u>58"</u>
Street	<u>Washington St.</u>	Inner Diameter	<u>4'</u>
Date	<u>5/11/2021</u>	Material	<u>Concrete</u>
Time	<u>2:10</u>	Cover	<u>Good</u>
Inspector	<u>Maria George</u>	Frame	<u>Good</u>

Defects	Depth	Clock Position	Comments
Fracture	14"	9	
Roots Fine	24"	1-3	Joint
Missing Mortar	54"	2, 10	At pipe joints
Hole	54"	2, 10	Hole partially filled with mortar

Comments



08-131 Photos

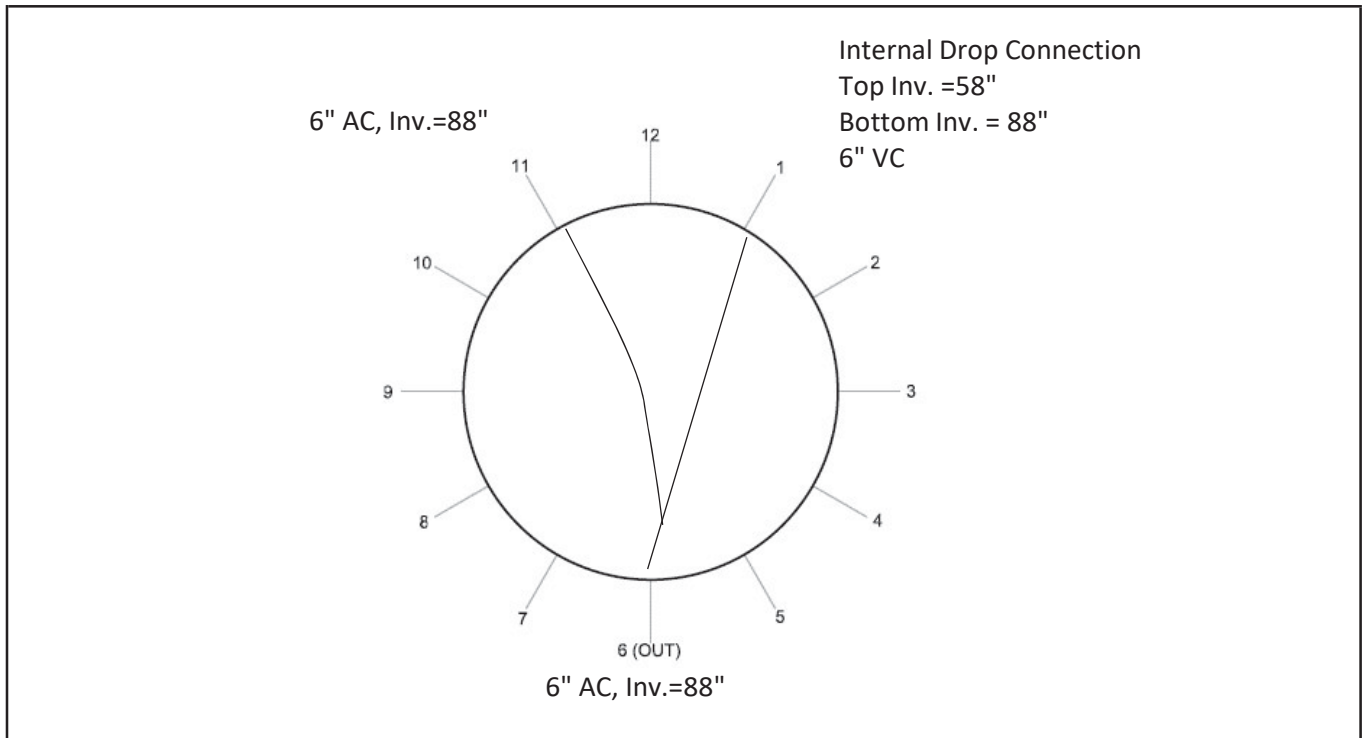


Westwood Manhole Inspections

Manhole ID	<u>08/128</u>	Rim to Invert	<u>88"</u>
Street	<u>Washington St.</u>	Inner Diameter	<u>4'</u>
Date	<u>5/11/2021</u>	Material	<u>Concrete</u>
Time	<u>2:25</u>	Cover	<u>Good</u>
Inspector	<u>Maria George</u>	Frame	<u>Good</u>

Defects	Depth	Clock Position	Comments
Missing Morrtar	8"-13"	12-12	
Displaced brick	8"-13"	12-12	
Infiltration Stain	13"	12-12	Minor
Minor Crack	56"		Joint

Comments



08-128 Photos

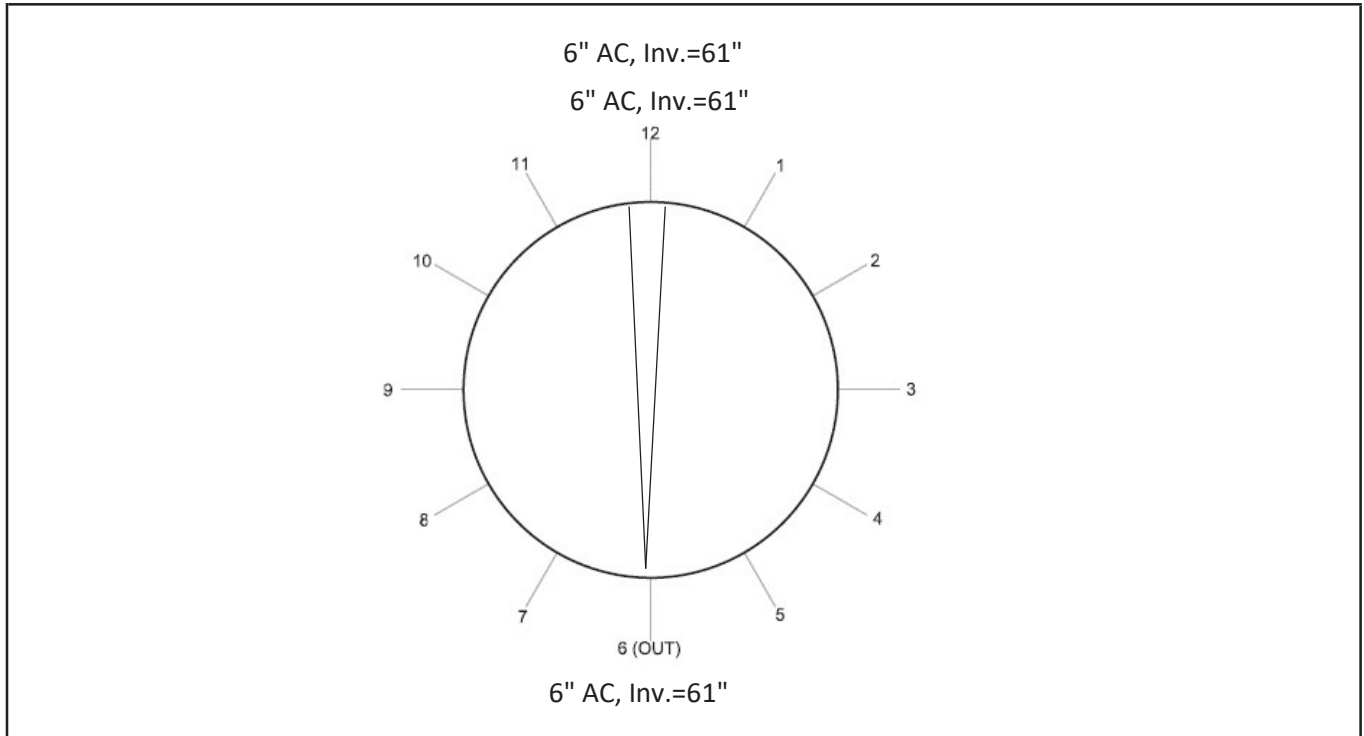


Westwood Manhole Inspections

Manhole ID	<u>08/129</u>	Rim to Invert	<u>61"</u>
Street	<u>Washington @ Hillview</u>	Inner Diameter	<u>4'</u>
Date	<u>5/11/2021</u>	Material	<u>Concrete</u>
Time	<u>2:35</u>	Cover	<u>Good</u>
Inspector	<u>Maria George</u>	Frame	<u>Good</u>

Defects	Depth	Clock Position	Comments
Missing Mortar	9"-10"	12-12	Medium
Missing Brick	9"-10"	12-12	
Hole	23"		5" circle, concrete divet
Construction Debris	57"	7-11, 2-5	On bench

Comments



08-129 Photos

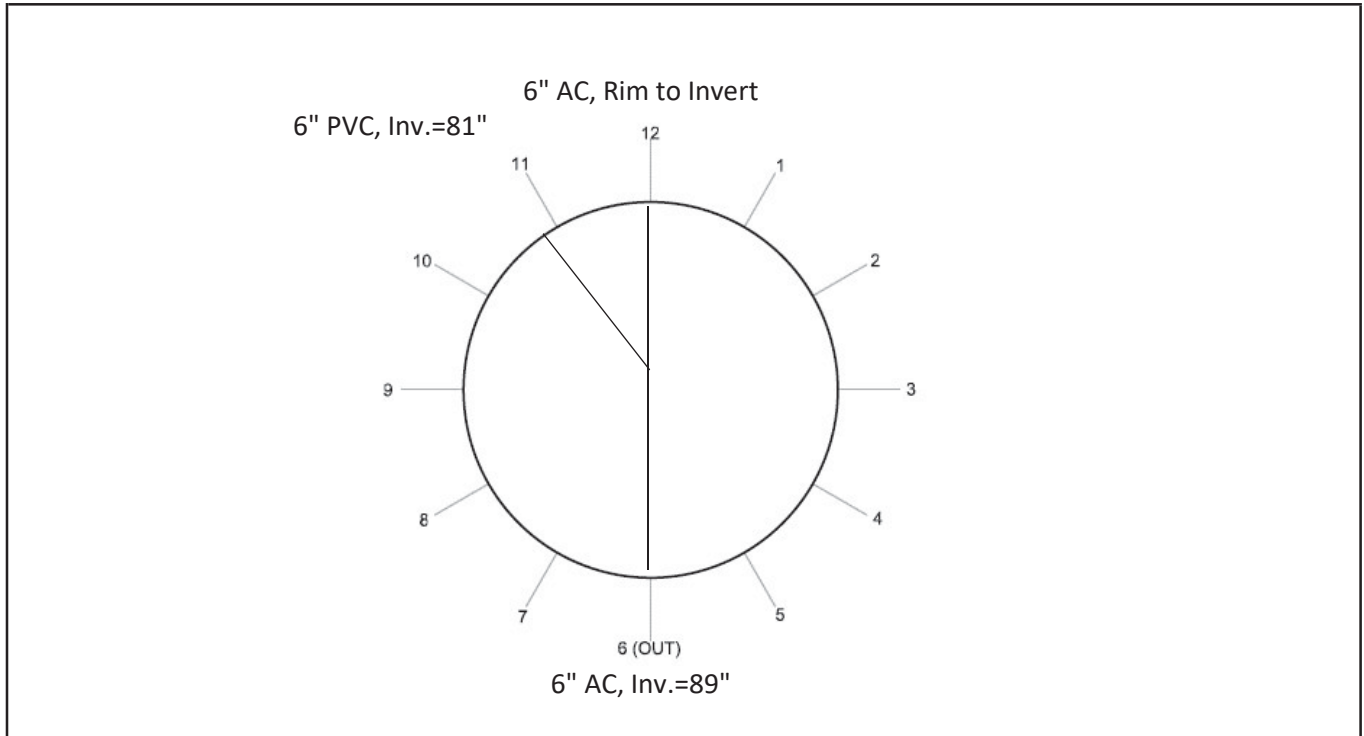


Westwood Manhole Inspections

Manhole ID	<u>06/094</u>	Rim to Invert	<u>89"</u>
Street	<u>Washington St.</u>	Inner Diameter	<u>4'</u>
Date	<u>5/11/2021</u>	Material	<u>Concrete</u>
Time	<u>2:40</u>	Cover	<u>Good</u>
Inspector	<u>Maria George</u>	Frame	<u>Good</u>

Defects	Depth	Clock Position	Comments
Missing Mortar	8"-16"	12-12	Chimney
Cracked	8"-16"	12-12	Chimney
Construction Debris	84"	12-12	Bench

Comments



06-094 Photos



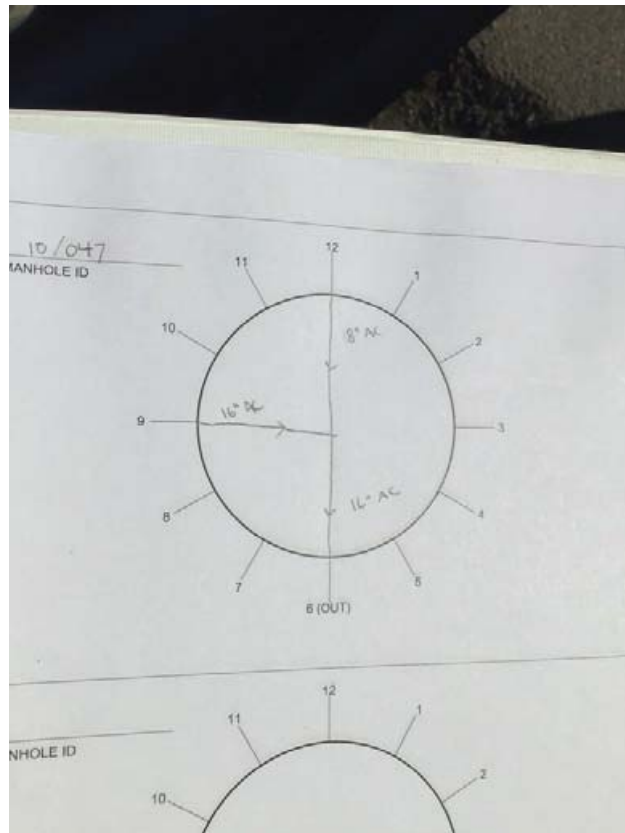
10/047

Created	2018-11-02 17:37:18 UTC by Vern Lincoln
Updated	2018-11-30 14:22:59 UTC by EPField 05
Location	42.2215620630978, -71.2099497589369
Inspection Status	■ Inspection Complete

Manhole Information

Manhole ID Number	10/047
Street	GAY ST
Address	14 Thatcher St Westwood, MA 02090
Surveyor	Bill Watts
Date	2018-11-30
Time	09:15
Rim to Invert	16.5
Inner Diameter	4
Material	Concrete
Cover Condition	Sound
Frame Condition	Broken

Sketch Photos



Overview Photos



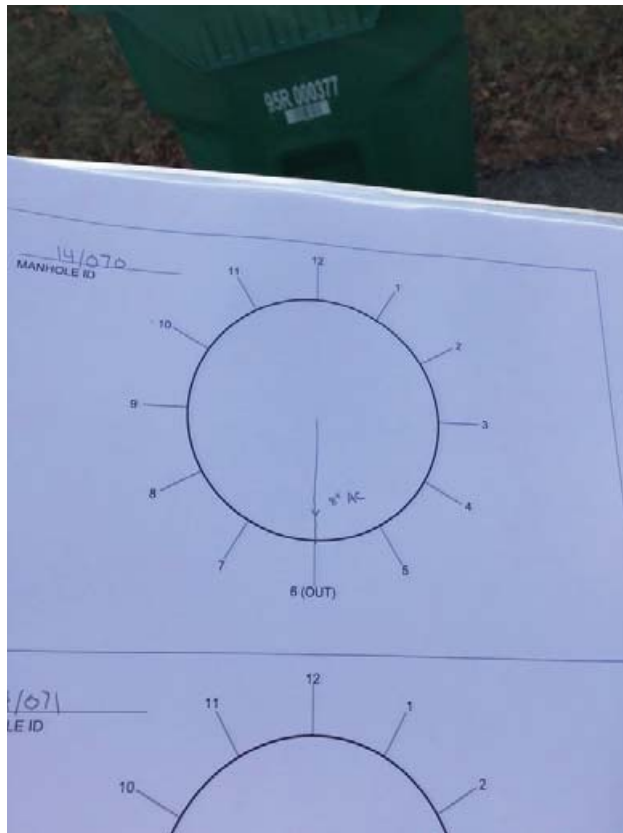
14/070

Created	2018-11-02 17:37:45 UTC by Vern Lincoln
Updated	2018-11-28 14:56:11 UTC by EPField 05
Location	42.2166288407412, -71.2242335386869
Inspection Status	■ Inspection Complete

Manhole Information

Manhole ID Number	14/070
Street	FISHER ST
Address	2-22 Fisher St Westwood, MA 02090
Surveyor	Bill Watts
Date	2018-11-28
Time	09:50
Rim to Invert	9.83
Inner Diameter	4
Material	Concrete
Cover Condition	Sound
Frame Condition	Cracked

Sketch Photos



Overview Photos

