





OWNER

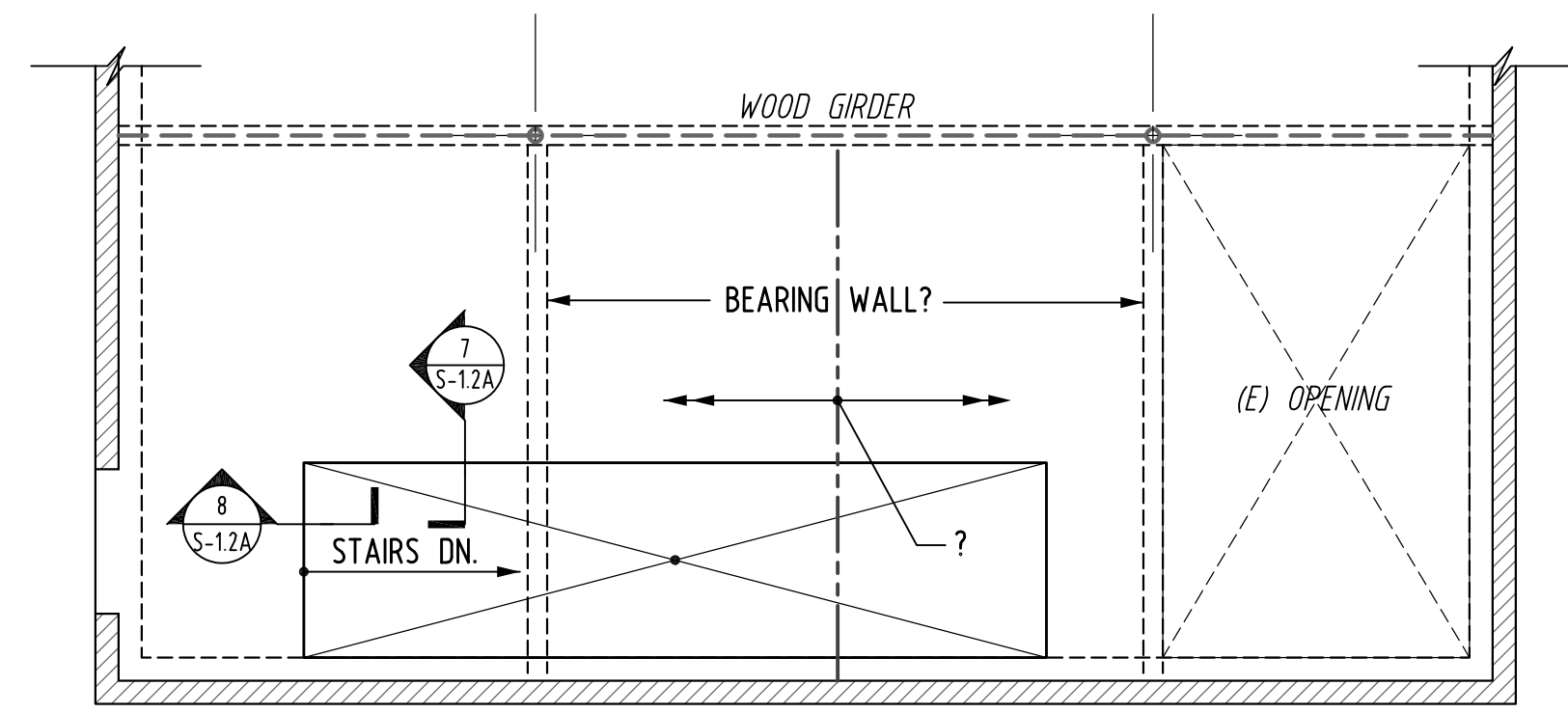
architects  
mckay

35 Bryant Street  
Dedham, MA 02026

ph. 781.326.5400

www.mckayarchitects.net

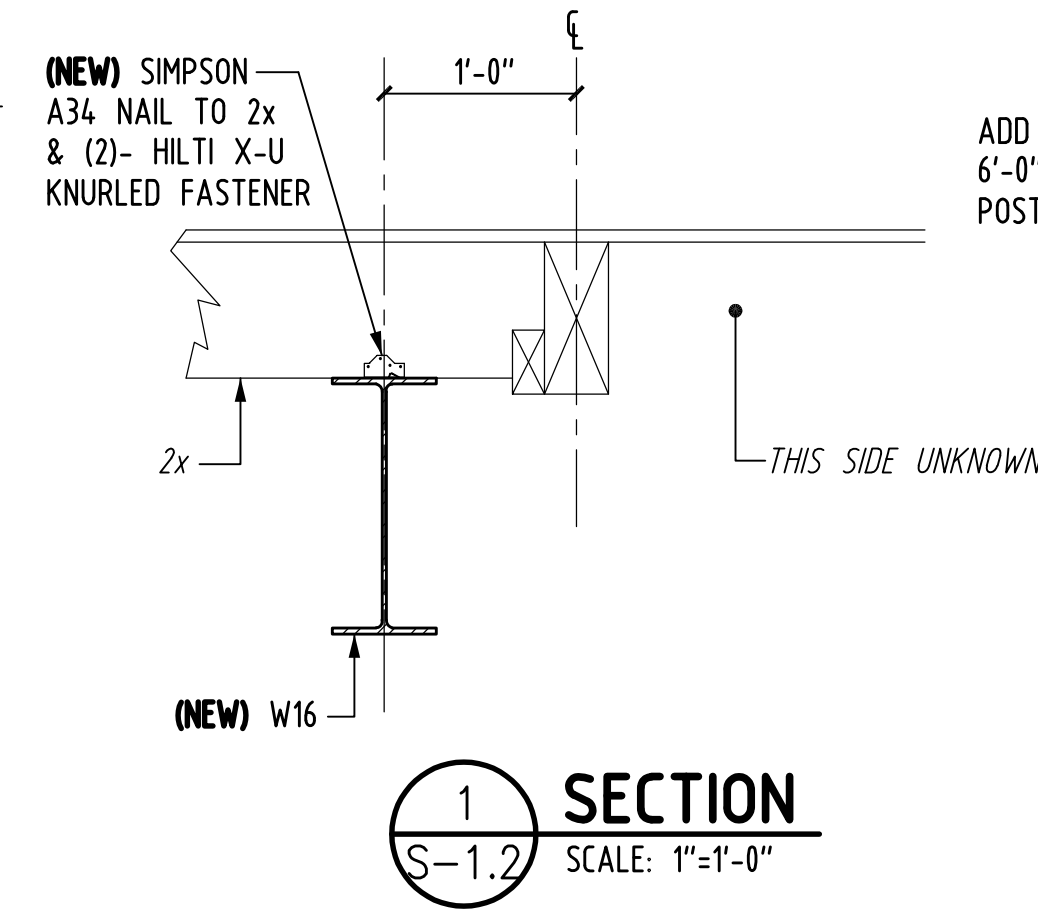
www.mckayarchitects.net



**PART PLAN AT (NEW) STAIR**  
SCALE: 1/4"=1'-0"

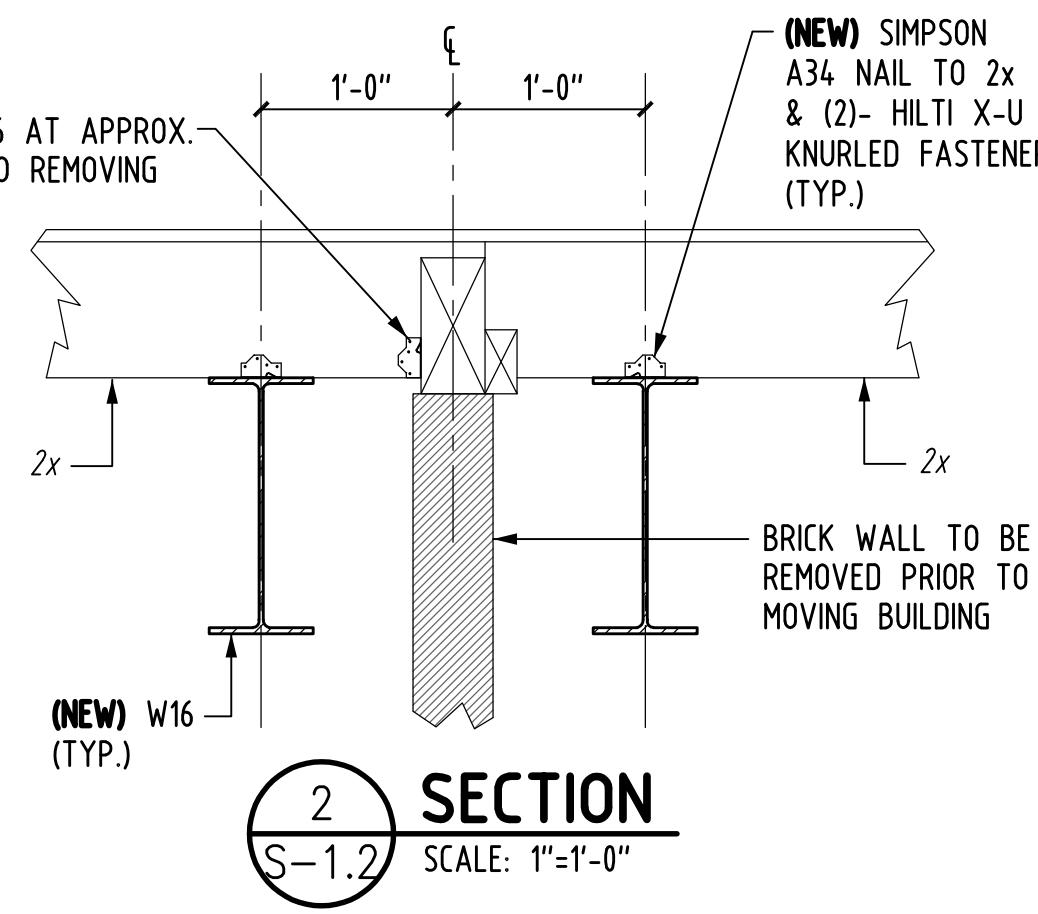
NOTES:

- REFER TO DRAWINGS S-0.1 TO S-0.3 FOR GENERAL NOTES.



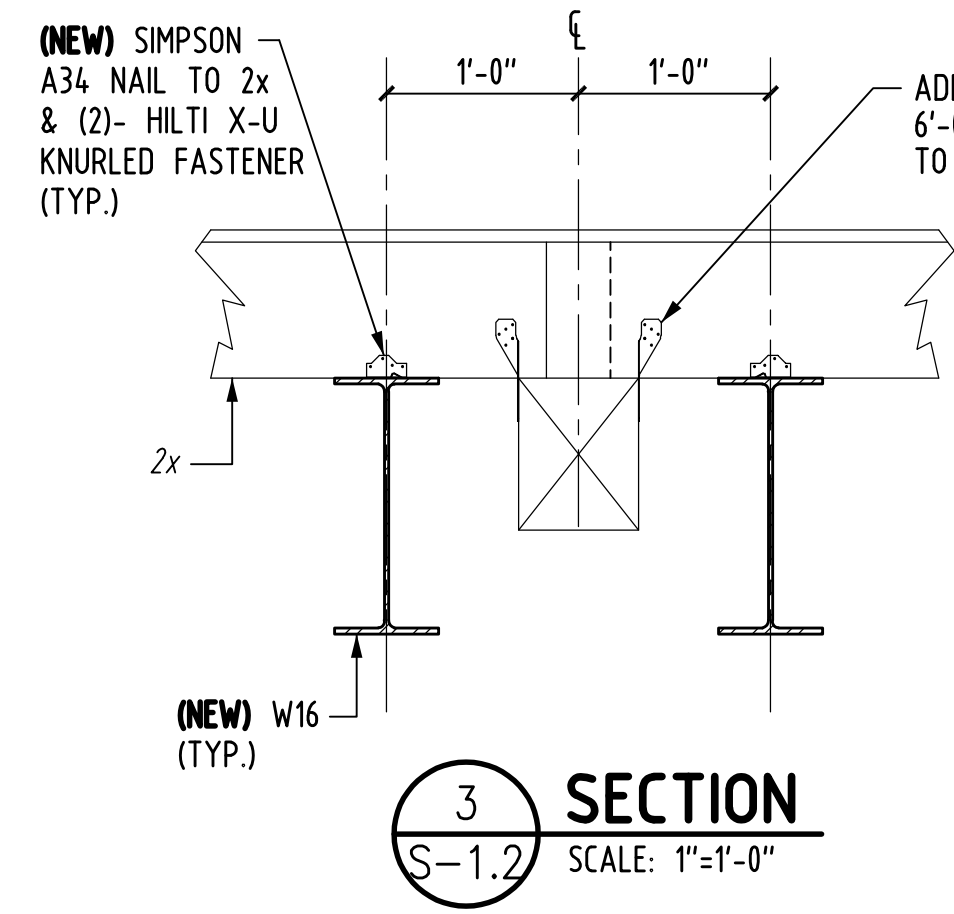
1 SECTION  
S-1.2 SCALE: 1"=1'-0"

ALL CONSTRUCTION EXISTS UNLESS NOTED OTHERWISE.



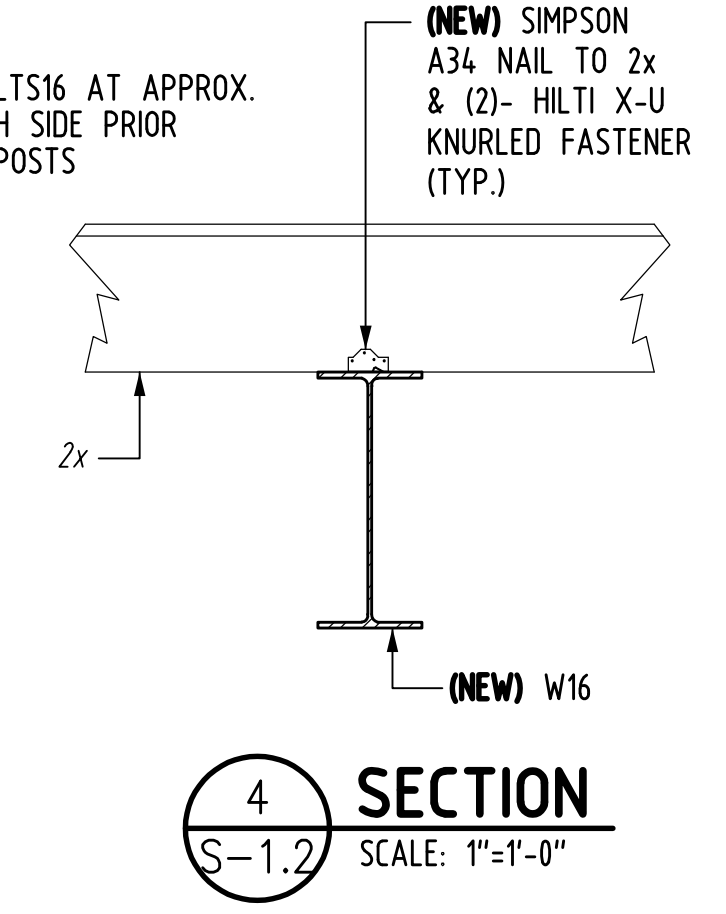
2 SECTION  
S-1.2 SCALE: 1"=1'-0"

ALL CONSTRUCTION EXISTS UNLESS NOTED OTHERWISE.



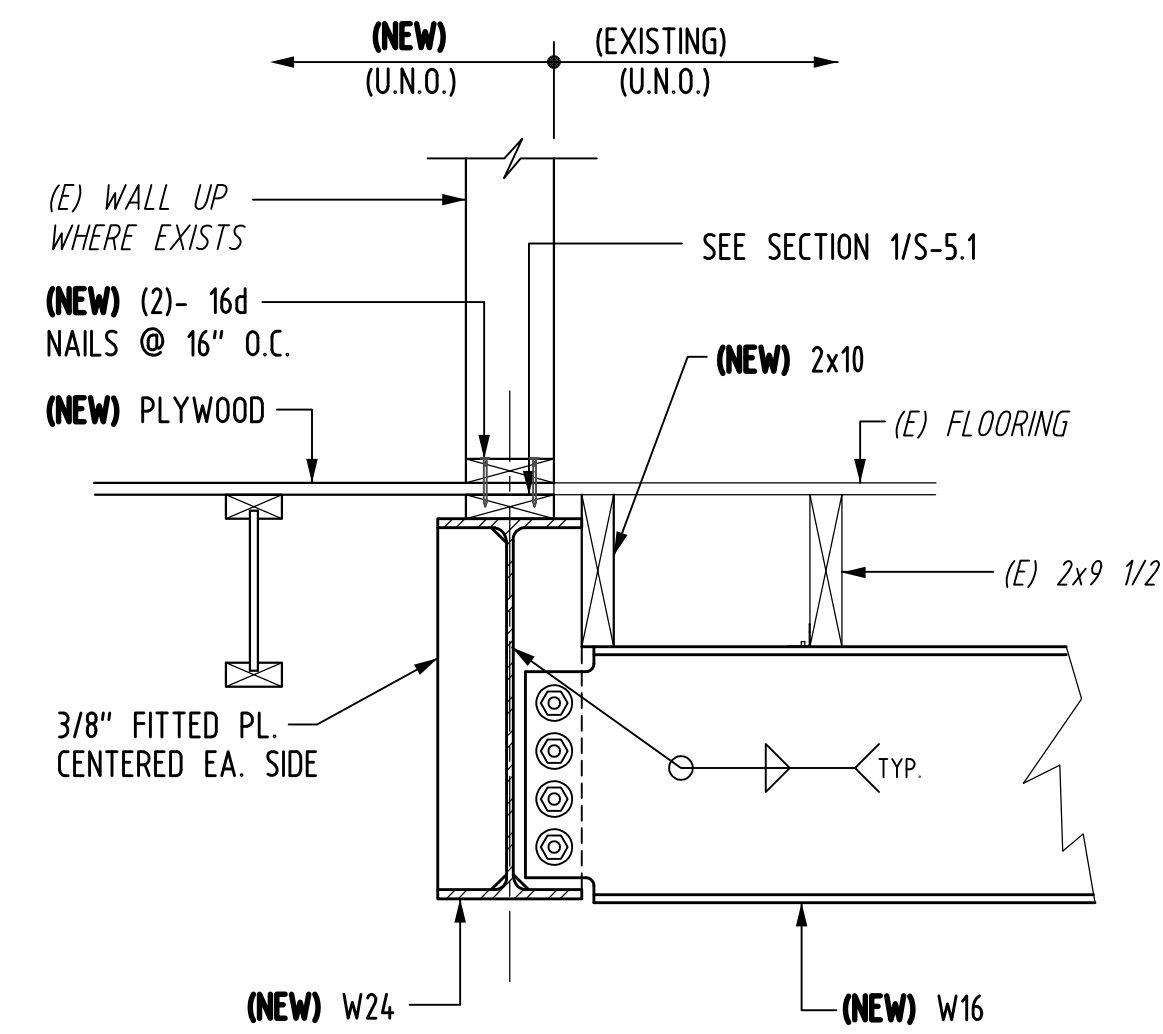
3 SECTION  
S-1.2 SCALE: 1"=1'-0"

ALL CONSTRUCTION EXISTS UNLESS NOTED OTHERWISE.

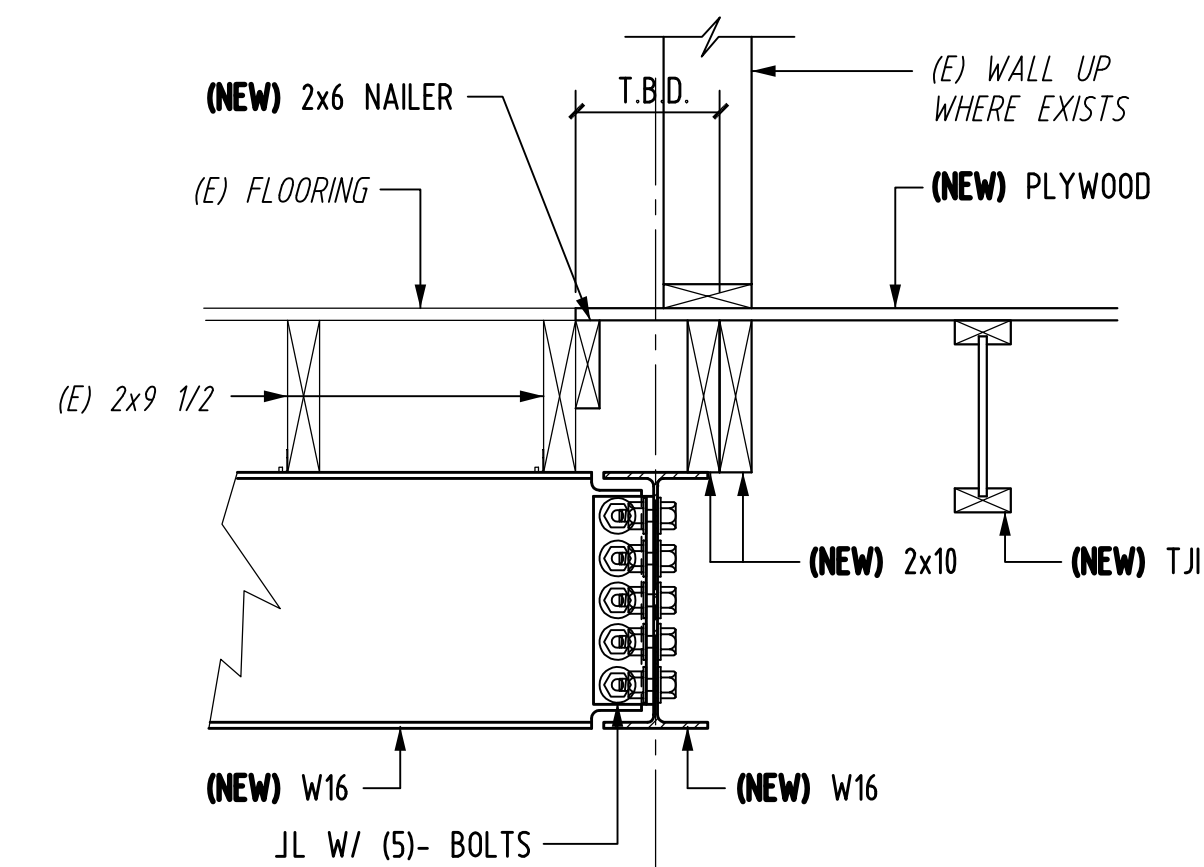


4 SECTION  
S-1.2 SCALE: 1"=1'-0"

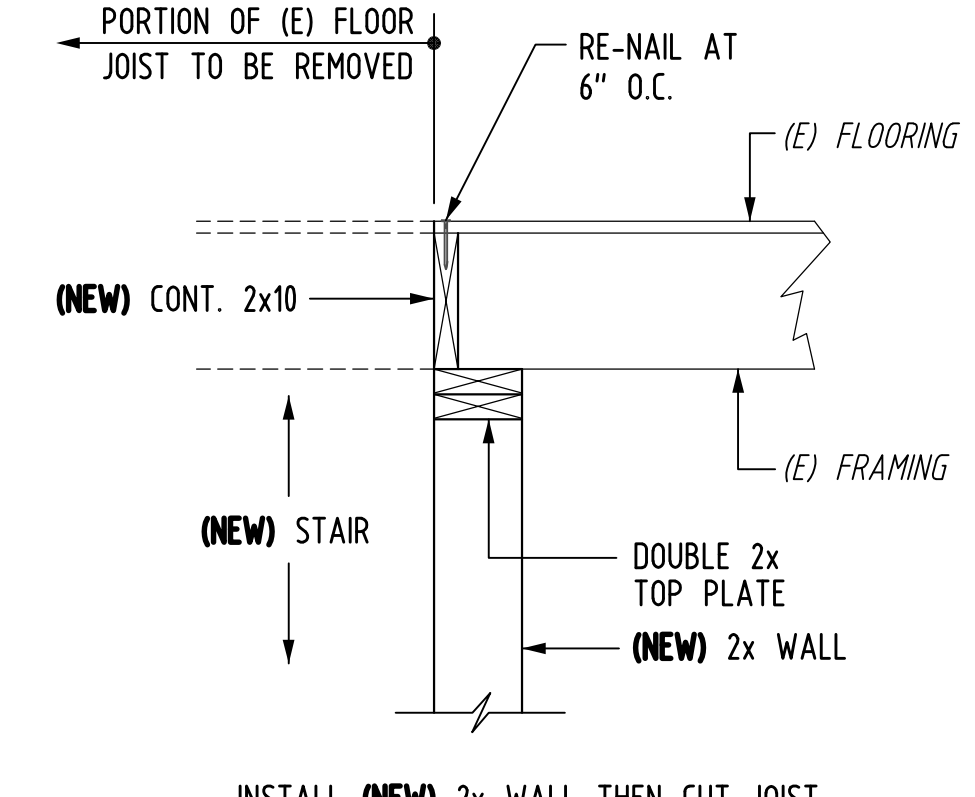
ALL CONSTRUCTION EXISTS UNLESS NOTED OTHERWISE.



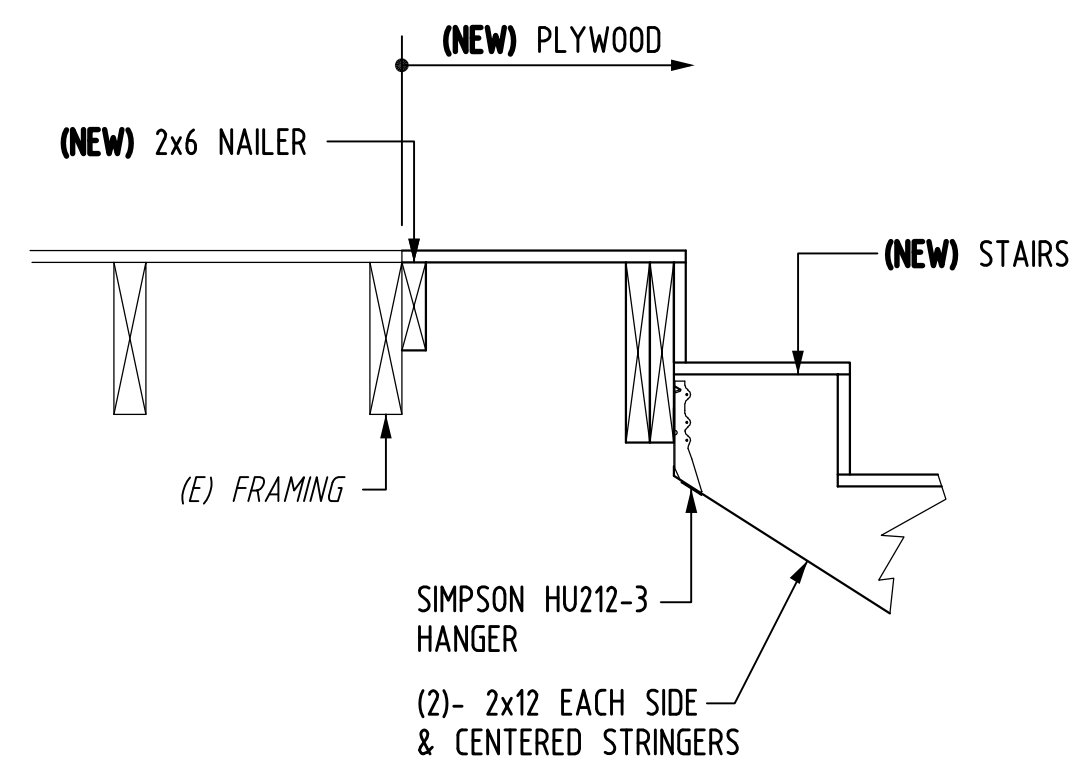
5 SECTION  
S-1.2 SCALE: 1"=1'-0"



6 SECTION  
S-1.2 SCALE: 1"=1'-0"



S-1.2 & S-1.2A 7 SECTION  
SCALE: 1"=1'-0"



S-1.2 & S-1.2A 8 SECTION  
SCALE: 1"=1'-0"

REV #	DATE	ISSUANCE

OWNERSHIP & USE OF DOCUMENTS  
These drawings and specifications are the property and copyright of McKay Architects and shall not be used in whole or in part, or shall be assigned to a third party without the express written permission of McKay Architects.  
Contractor to verify all information and dimensions in the field prior to start of construction and is to notify McKay Architects of any discrepancies

Part Plan, Sections & Details

JOB NO	18197.00	<b>S-1.2A</b>
DATE	05.29.19	
DWG BY	DAD	
CKD BY	BRG	
SCALE	AS NOTED	